

TAV10.PD



caratteristiche/features



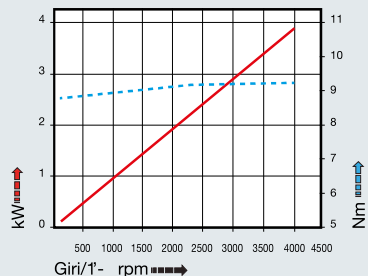
peso/weight



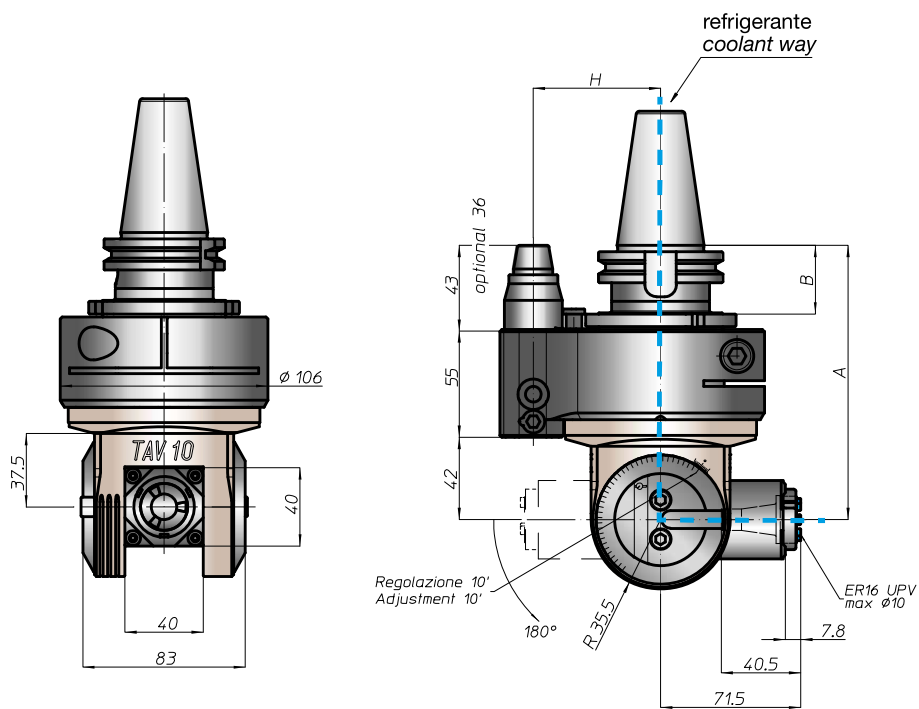
rotazione/rotation



prestazioni/performance



CONO SHANK	size	A	B	H	
				standard	optional
★ DIN69871 ★	40	140	35	65	-
	45			80	110
	50			80	110
★ ANSIB5.50 ★ CAT	40	140	35	65	-
	50			80	110
★ BT	40	148	45	65	-
	50			80	110
DIN69893 HSK	63	149	46	65	-
	80			80	110
	100			80	110
ISO26623 CAPTO	C5	144	39	65	-
	C6			80	110
	C8			80	110
KM	63	140	35	65	-
	80			80	110
	100			80	110
DIN2080	-	-	-	-	-
	-	-	-	-	-
	-	-	-	-	-
ANSIB5.18 NMTB	-	-	-	-	-
	-	-	-	-	-



★ Option: Dual Contact

FH
BAH
TA-CP
TA

MOX

HT

VH

TSI/TSX

T

MT-TC-TC3

Accessori
Accessories

Appendice tecnica
Technical supplement



TAV13.PD



caratteristiche/features



peso/weight

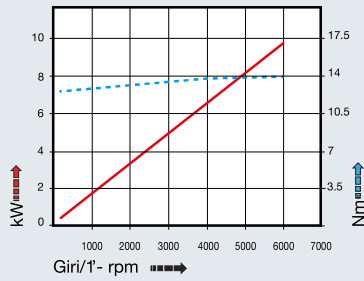


7,8 kg 10,5 kg

rotazione/rotation



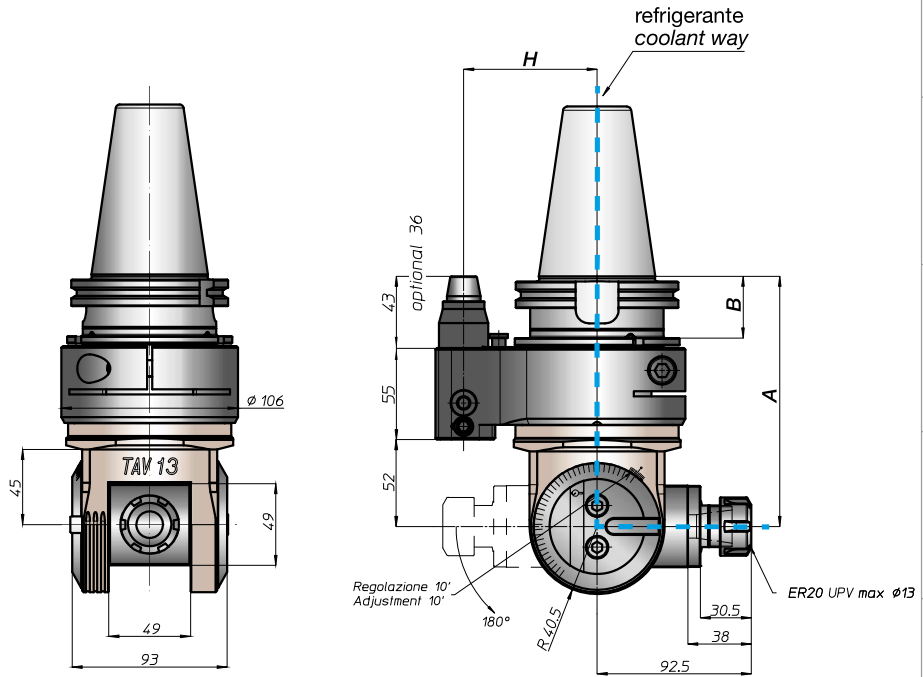
prestazioni/performance



CONO SHANK	size	A	B	H	
				standard	optional
* DIN69871	-	150	35	65	-
	40			80	110
	45			80	110
	50			80	110
* ANSIB5.50 CAT	40	150	35	65	-
	50			80	110
* BT	40	158	45	65	-
	50			80	110
DIN69893 HSK	63	159	46	65	-
	80			80	110
	100			80	110
ISO26623 CAPTO	C5	154	39	65	-
	C6			80	110
	C8			80	110
KM	63	150	-	65	-
	80			80	110
	100			80	110
DIN2080	-	120	13	65	-
	40			-	-
	-			-	-
ANSIB5.18 NMTB	-	-	-	-	-
	-			-	-

tipi mandrino disponibili / available spindle types

- 1** DIN6499-ER **ER25**
- 3** Weldon Whistle-Notch **Ø16**



* Option: Dual Contact

FH
BAH
TA-CP
TA
MOX
HT
VH
TSI/TSX
T
MT-TC-TC3
Accessori
Accessories



TAV20.PD



caratteristiche/features

\varnothing 20 M16 1740 N
 1-1 4000 70 bar

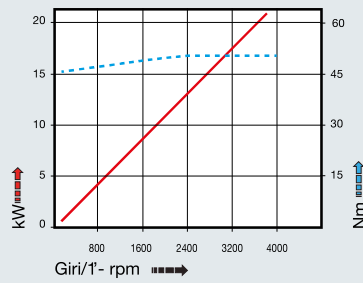
peso/weight

22 kg

rotazione/rotation

input output

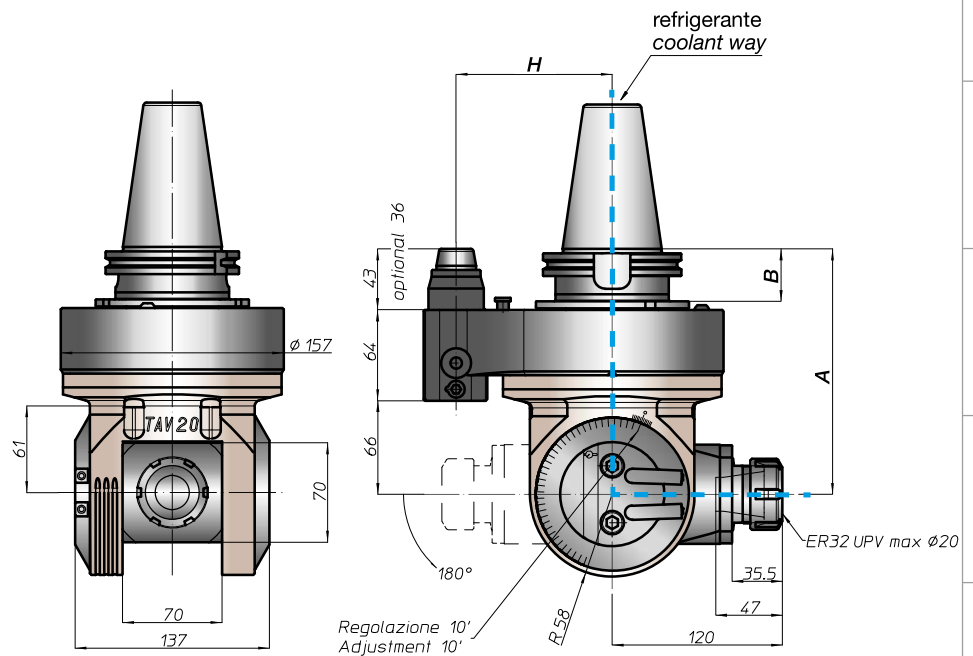
prestazioni/performance



CONO SHANK	size	A	B	H	
				standard	optional
* DIN69871	-	173	35	-	-
	50			110	-
* ANSIB5.50	-	173	35	-	-
	50			110	-
* BT	-	181	45	-	-
	50			110	-
DIN69893 HSK	-	182	46	-	-
	80			110	-
CAPTO ISO26623	-	177	-	-	-
	C8			110	-
KM	-	173	-	-	-
	100			110	-
DIN2080	-	-	-	-	-
	-			-	-
ANSIB5.18 NMTB	-	-	-	-	-
	-			-	-

tipi mandrino disponibili / available spindle types

1 DIN6499-ER 3 Weldon Whistle-Notch 4 DIN69893-HSK 6 ABS Licenza KOMET®
ER40 **Ø20-Ø25** **HSK50** **ABS50**



* Option: Dual Contact

FH
BAH
TA-CP
TA
MOX
HT
VH
TSI/TSX
T
MT-TC-TC3
Accessori
Accessories
Appendice tecnica
Technical supplement



TAV Gallery



FH

BAH

TA-CP

TA

MOx

HT

VH

TSI/TSX

T

MT-TC-TC3

Accessori
Accessories

Appendice tecnica
Technical supplement

