

TAF Gallery



TAF10.P



caratteristiche/features



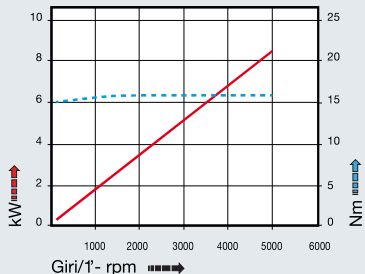
peso/weight



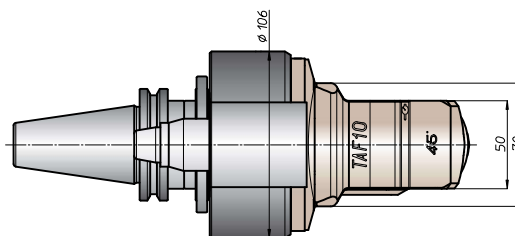
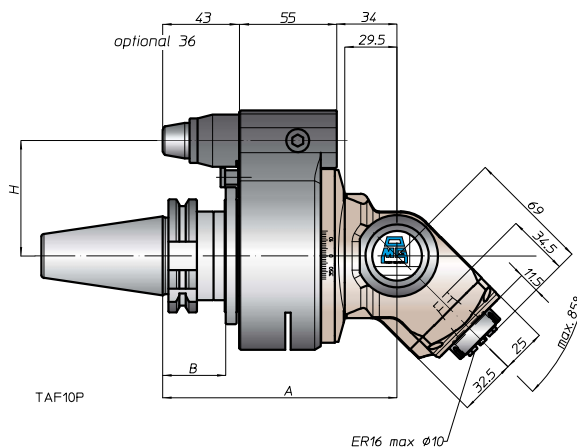
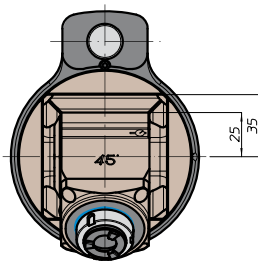
rotazione/rotation



prestazioni/performance



CONO SHANK	size	A	B	H	
				standard	optional
★ DIN69871	30	132	35	65	-
	40			80	110
	45				
	50				
★ ANSIB5.50 CAT	40			65	-
	50			80	110
★ BT	40			65	
	50	140	45	80	110
DIN69893 HSK	63	141	46	65	
	80			80	110
	100				
ISO26623 CAPTO	C5	136	39	65	
	C6			80	110
	C8				
KM	63	132		65	
	80			80	110
	100				
DIN2080	-			-	-
	-			-	-
	-			-	-
ANSIB5.18 NMTB	-			-	-
	-			-	-



FH
BAH
TA-CP
TA
MOX
HT
VH
TSI/TSX
T
MT-TC-TC3
Accessori
Accessories

★ Option: Dual Contact



testa ad angolo - angle head

TAF13.P



caratteristiche/features



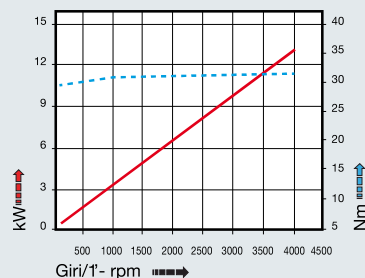
peso/weight



rotazione/rotation

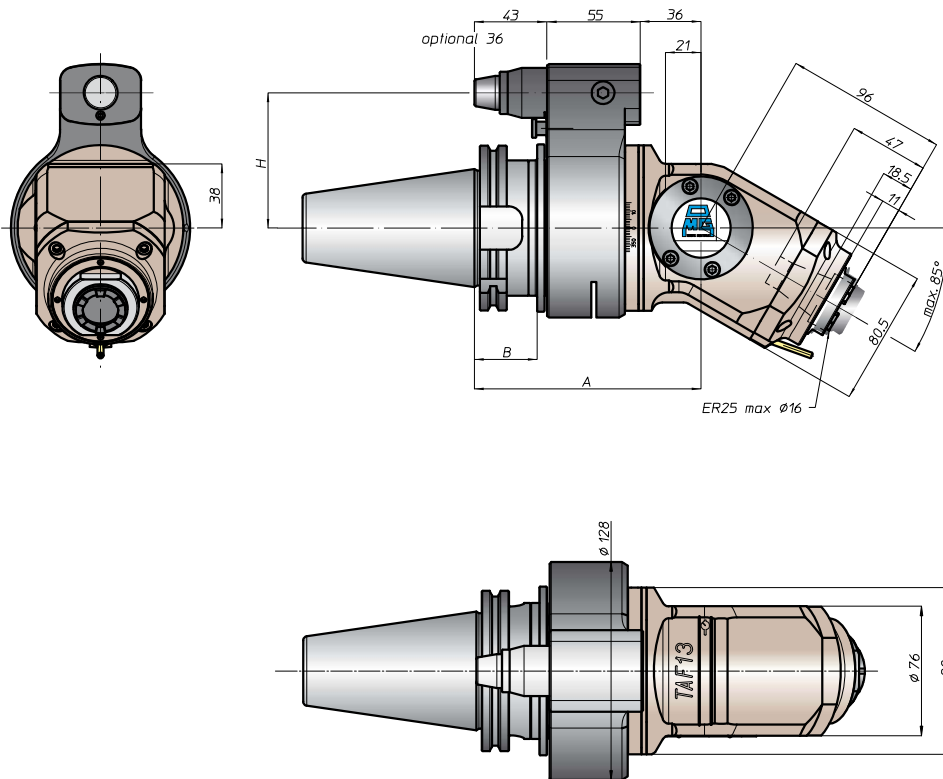


prestazioni/performance



tipi mandrino disponibili / available spindle types

4 DIN69893-HSK
HSK32



CONO SHANK	size	A	B	H	
				standard	optional
DIN69871 *	40	134	35	65	-
	45			80	110
	50			80	110
ANSIB5.50 *	40			65	-
	50			80	110
* BT	40			65	
	50	142	45	80	110
DIN69893 HSK	63		44	65	
	80	143		80	110
	100		46	80	110
ISO26623 CAPTO	C5			65	
	C6	138	39		
	C8			80	110
KM	63			65	
	80	134		80	110
	100				
DIN2080	-			-	-
	-			-	-
	-			-	-
ANSIB5.18 NMTB	-			-	-
	-			-	-

* Option: Dual Contact

FH

BAH

TA-CP

TA

MOX

HT

VH

TSI/TSX

T

MT-TC-TC3

Accessori
Accessories

Appendice tecnica
Technical supplement



TAF20.P



caratteristiche/features

$\varnothing 20$
 M16
 1610 N
 1-1
 3000

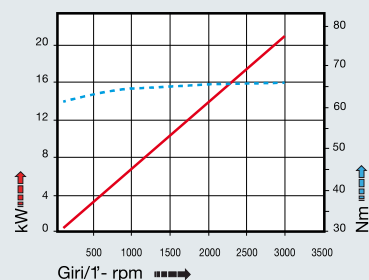
peso/weight



rotazione/rotation

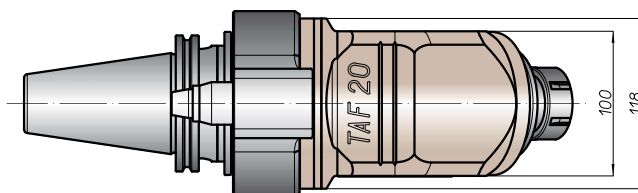
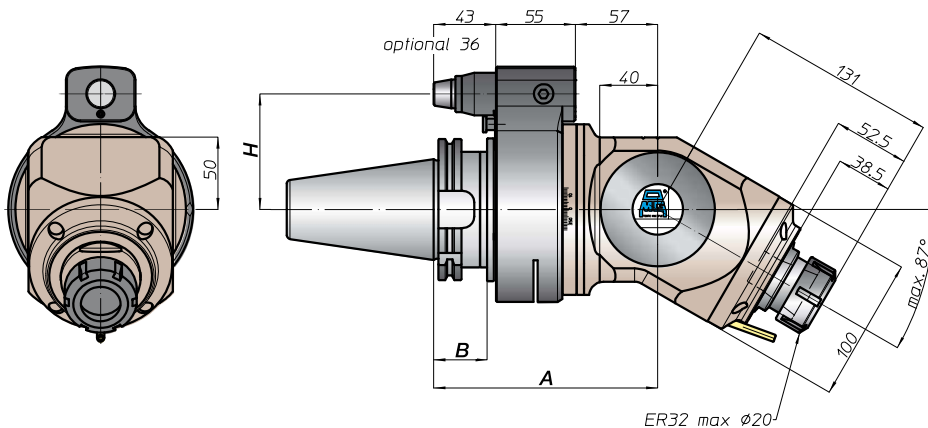


prestazioni/performance



tipi mandrino disponibili / available spindle types

- 1** DIN6499-ER
ER40
- 2** Albero portafresa
Milling shaft
Ø32
- 3** Weldon
Whistle-Notch
Ø20
- 4** DIN69893-HSK
HSK50
- 6** ABS
Licenza KOMET®
ABS50



CONO SHANK	size	A	B	H	
				standard	optional
DIN69871 *	-	-	-	-	-
	45	155	35	80	110
	50				
ANSIB5.50 *	-	-	-	-	-
	50	-	-	80	110
* BT	-	-	-	-	-
	50	163	45	80	110
HSK	-	-	42	-	-
DIN69893	80	164	46	80	110
	100				
CAPTO	-	-	-	-	-
ISO6623	C6	159	-	80	110
	C8				
KM	-	-	-	-	-
	80	155	-	80	110
	100				
DIN2080	-	-	-	-	-
	-	-	-	-	-
	-	-	-	-	-
ANSIB5.18 NMTB	-	-	-	-	-
	-	-	-	-	-

* Option: Dual Contact

FH

BAH

TA-CP

TA

MOX

HT

VH

TSI/TSX

T

MT-TC-TC3

Accessori
Accessories

Appendice tecnica
Technical supplement

