

TAF Gallery



TAF13.PD



caratteristiche/features



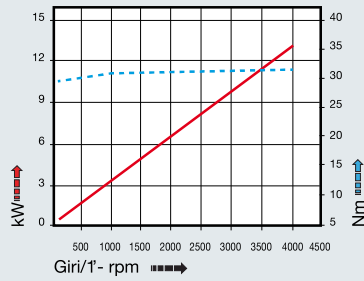
peso/weight



rotazione/rotation



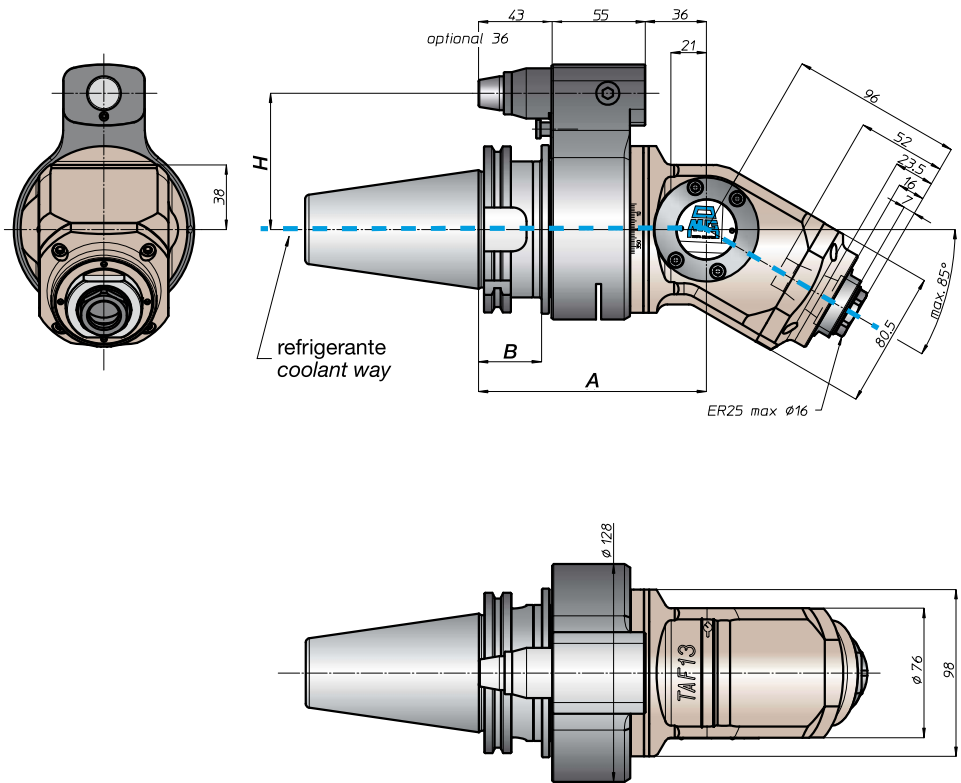
prestazioni/performances



CONO SHANK	size	A	B	H	
				standard	optional
* DIN69871	-	134	35	65	-
	40			80	110
	45			80	110
* ANSIB5.50 CAT	40	134	35	65	-
	50			80	110
* BT	40	142	45	65	-
	50			80	110
DIN69893 HSK	63	143	46	65	-
	80			80	110
	100			80	110
ISO26623 CAPTO	C5	138	39	65	-
	C6			80	110
	C8			80	110
KM	63	134	35	65	-
	80			80	110
	100			80	110
DIN2080	-	-	-	-	-
	-			-	-
	-			-	-
ANSIB5.18 NMTB	-	-	-	-	-
	-			-	-

tipi mandrino disponibili / available spindle types

4 DIN69893-HSK
HSK32



* Option: Dual Contact

TAF20.PD



caratteristiche/features



peso/weight



13,5 kg

rotazione/rotation

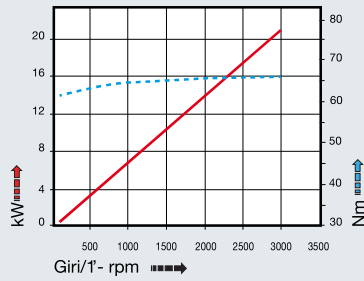


input



output

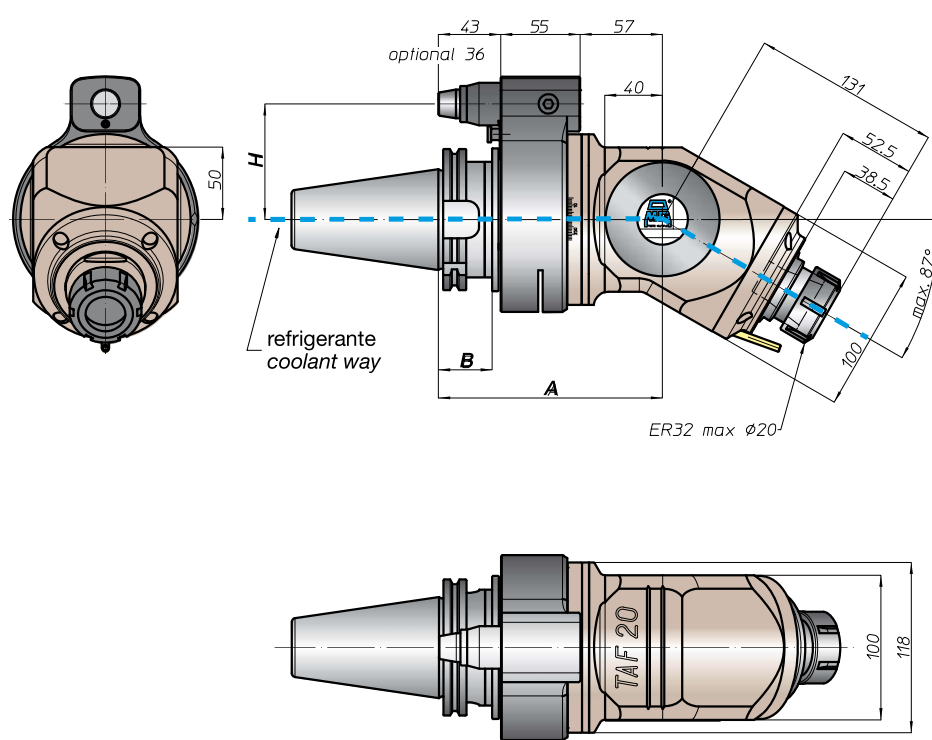
prestazioni/performance



CONO SHANK	size	A	B	H	
				standard	optional
DIN69871 *	-	155	35	-	-
	45			80	110
ANSIB5.50 *	-	155	35	-	-
	50			80	110
* BT	-	163	45	-	-
	50			80	110
DIN69893	HSK	164	46	42	-
	80			80	110
	100			80	110
ISO26623	CAPTO	159	-	-	-
	C6			80	110
KM	-	155	-	-	-
	80			80	110
DIN2080	-	-	-	-	-
	-			-	-
ANSIB5.18	NMTB	-	-	-	-
	-			-	-

tipi mandrino disponibili / available spindle types

- 1 DIN6499-ER
ER40
- 3 Weldon Whistle-Notch
Ø20
- 4 DIN69893-HSK
HSK50
- 6 ABS Licenza KOMET®
ABS50



* Option: Dual Contact

FH
 BAH
 TA-CP
TA
 MOX
 HT
 VH
 TSI/TSX
 T
 MT-TC-TC3
 Accessori
 Accessories
 Appendice tecnica
 Technical supplement

