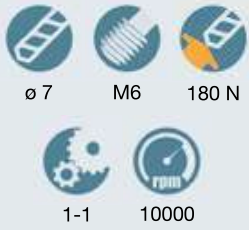


TA07.PL



caratteristiche/features



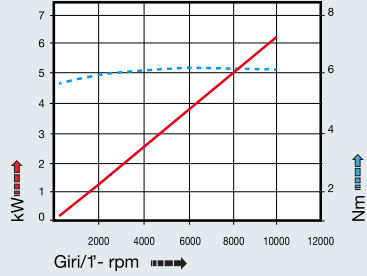
peso/weight



rotazione/rotation



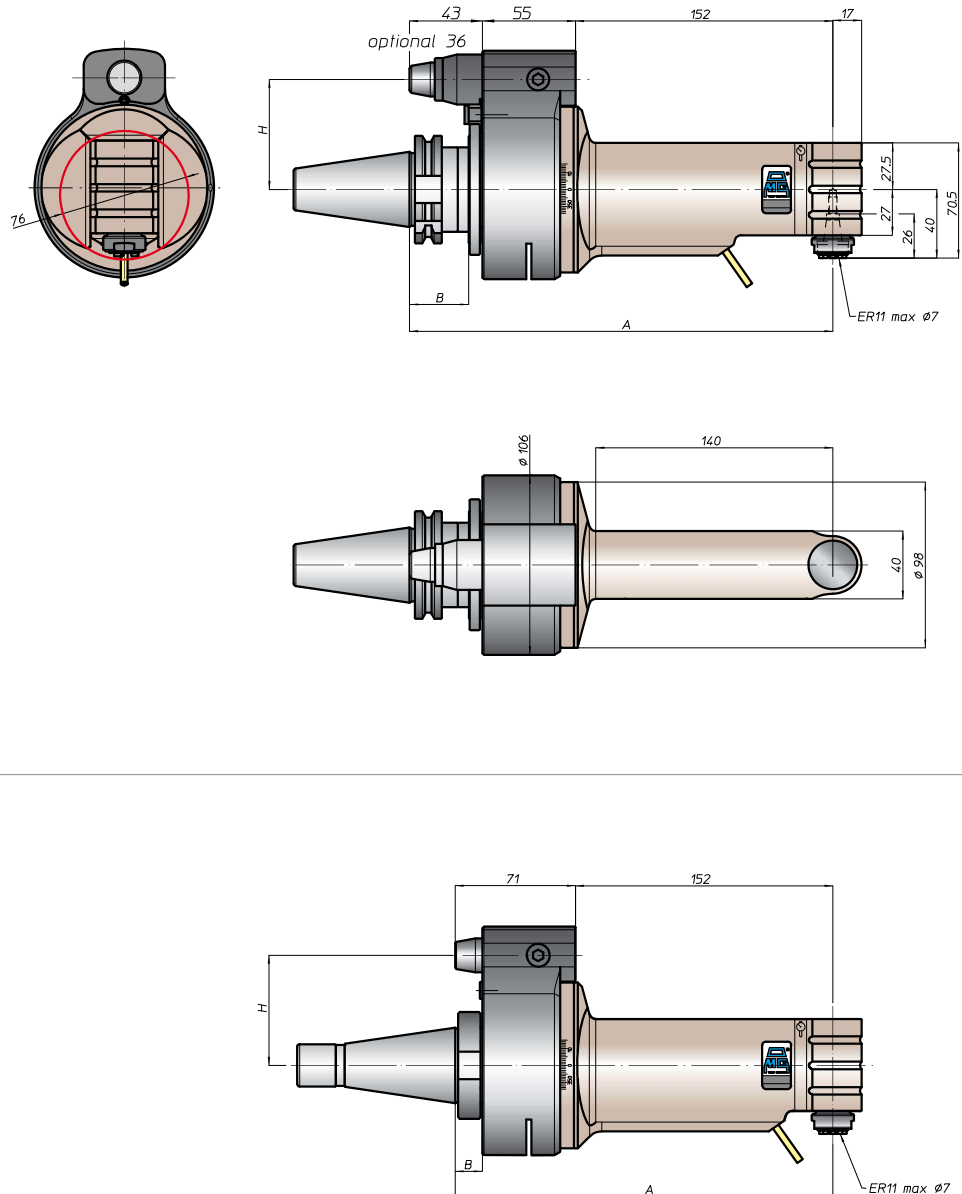
prestazioni/performance



CONO SHANK	size	A	B	H	
				standard	optional
* DIN69871	40	250	35	65	-
	45			80	110
	50			80	110
* ANSIB5.50 CAT	40	250	35	65	-
	50			80	110
* BT	40	258	45	65	-
	50			80	110
DIN69893 HSK	63	259	46	65	-
	80			80	110
	100			80	110
ISO26623 CAPTO	C5	254	39	65	-
	C6			80	110
	C8			80	110
KM	63	250	46	65	-
	80			80	110
	100			80	110
DIN2080	40	220	13	65	-
	50	223	16	80	110
	50	223	16	80	110
ANSIB5.18 NMTB	40	220	13	65	-
	50	223	16	80	110

tipi mandrino disponibili / available spindle types

3 Weldon Whistle-Notch $\phi 8-\phi 10$

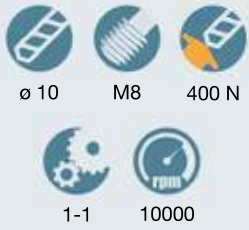


* Option: Dual Contact

TA10.PL



caratteristiche/features



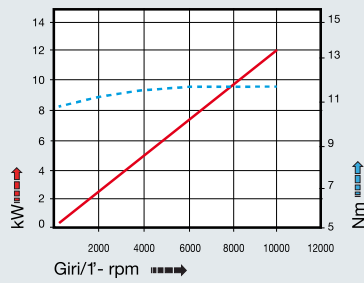
peso/weight



rotazione/rotation



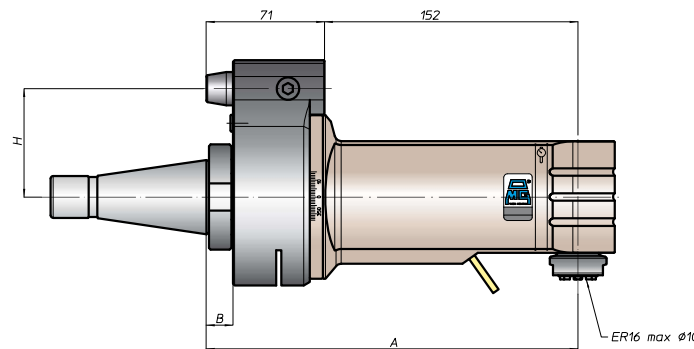
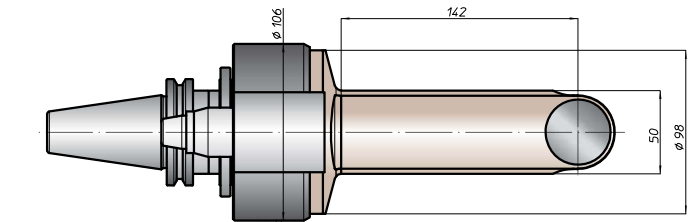
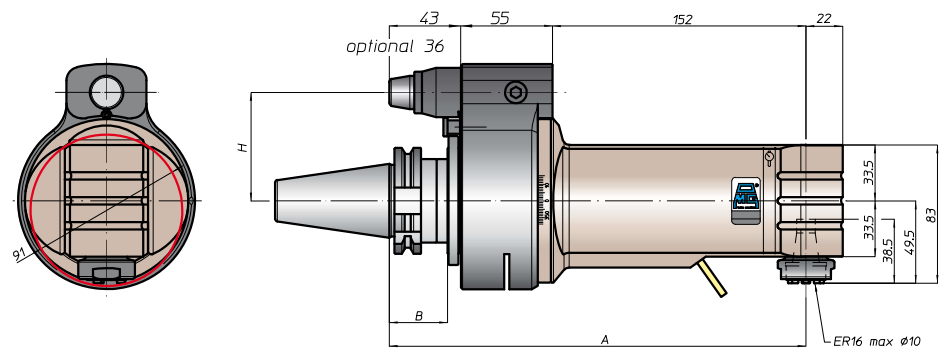
prestazioni/performance



CONO SHANK	size	A	B	H	
				standard	optional
* DIN69871	40	250	35	65	-
	45			80	110
	50			80	110
* ANSIB5.50 CAT	40	250	35	65	-
	50			80	110
* BT	40	258	45	65	-
	50			80	110
DIN69893 HSK	63	259	46	65	-
	80			80	110
	100			80	110
ISO26623 CAPTO	C5	254	39	65	-
	C6			80	110
	C8			80	110
KM	63	250	46	65	-
	80			80	110
	100			80	110
DIN2080	40	220	13	65	-
	50	223	16	80	110
	50	223	16	80	110
ANSIB5.18 NMTB	40	220	13	65	-
	50	223	16	80	110

tipi mandrino disponibili / available spindle types

- 1** DIN6499-ER ER20
- 2** Albero portafrese Milling shaft Ø16
- 3** Weldon Whistle-Notch Ø8-10-12



* Option: Dual Contact

TA13.PL



caratteristiche/features



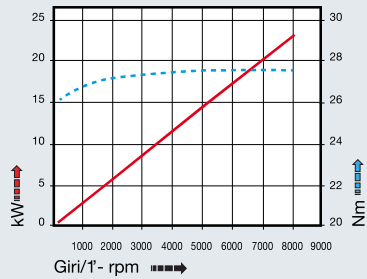
peso/weight



rotazione/rotation



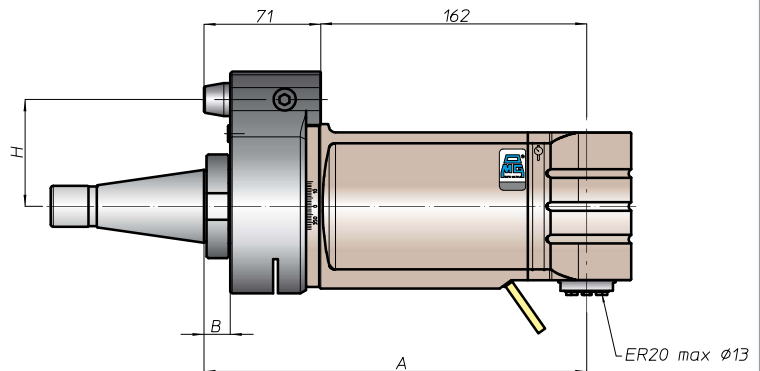
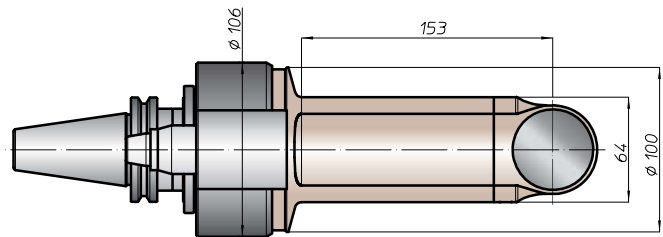
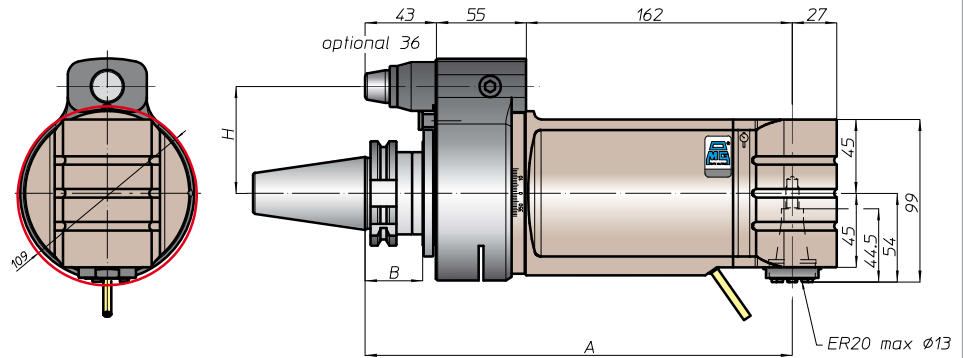
prestazioni/performance



CONO SHANK	size	A	B	H	
				standard	optional
DIN69871 *	-	260	35	65	-
	40			80	110
	45			80	110
ANSIB5.50 *	40	268	45	65	-
	50			80	110
* BT	40	268	45	65	-
	50			80	110
DIN69893	63	269	46	65	-
	80			80	110
	100			80	110
ISO26623	C5	264	39	65	-
	C6			80	110
	C8			80	110
KM	63	260	-	65	-
	80			80	110
	100			80	110
DIN2080	-	230	13	65	-
	40			80	110
	-			233	16
ANSIB5.18	40	230	13	65	-
	50			233	16

tipi mandrino disponibili / available spindle types

- 1 DIN6499-ER
ER25
- 2 Albero portafrese
Milling shaft
Ø16-Ø22
- 3 Weldon
Whistle-Notch
Ø16
- 6 ABS
Licenza KOMET®
ABS25



* Option: Dual Contact

FH

BAH

TA-CP

TA

MOX

HT

VH

TSI/TSX

T

MT-TC-TC3

Accessori
Accessories

Appendice tecnica
Technical supplement

TA16.PL



caratteristiche/features



peso/weight

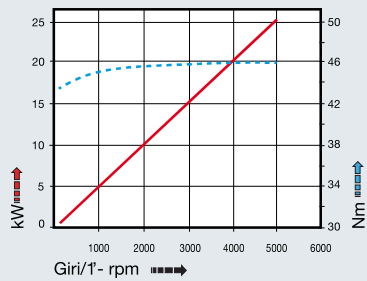


15,5 kg

rotazione/rotation



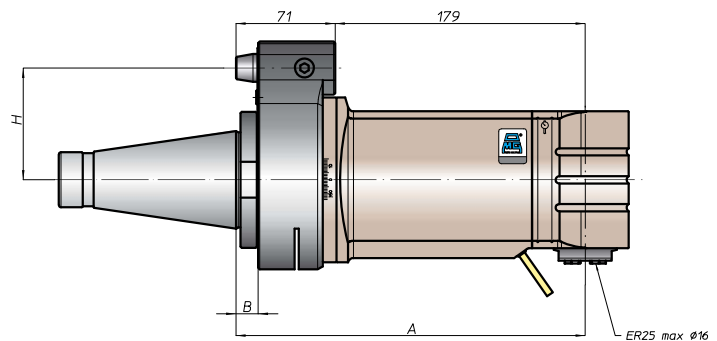
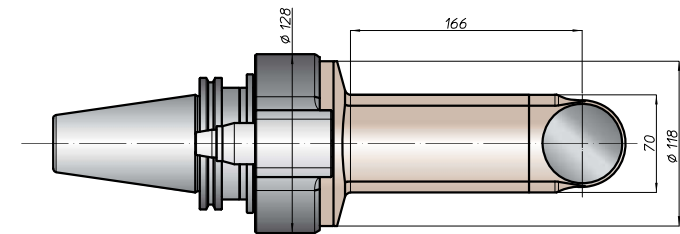
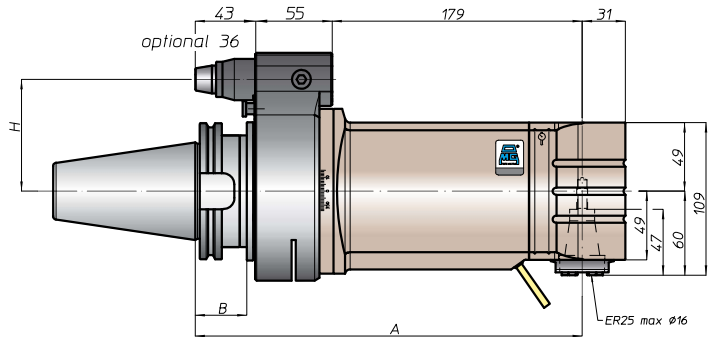
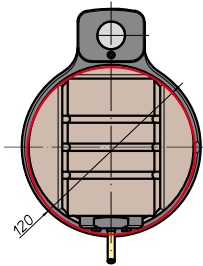
prestazioni/performance



CONO SHANK	size	A	B	H	
				standard	optional
* DIN69871	-	-	-	-	-
	45	277	35	80	110
	50				
* ANSIB5.50 CAT	-	-	-	-	-
	50	277	80	110	
* BT	-	-	-	-	-
	50	285	45	80	110
HSK	-	-	44	-	-
	80	286	46	80	110
DIN69893	100				
CAPTO	-	-	-	-	-
	C6	281	39	80	110
ISO26623	C8				
KM	-	-	-	-	-
	80	277	-	80	110
	100				
DIN2080	-	-	-	-	-
	50	250	16	80	110
ANSIB5.18 NMTB	-	-	-	-	-
	50	250	16	80	110

tipi mandrino disponibili / available spindle types

- 1 DIN6499-ER
ER32
- 2 Albero portafresce
Milling shaft
Ø16-Ø22-Ø27-Ø32
- 3 Weldon
Whistle-Notch
Ø20
- 4 DIN69893-HSK
HSK32
- 5 COROMANT
CAPTO®
C3
- 6 ABS
Licenza KOMET®
ABS32



* Option: Dual Contact

FH

BAH

TA-CP

TA

MOX

HT

VH

TSI/TSX

T

MT-TC-TC3

Accessori
Accessories

Appendice tecnica
Technical supplement

TA20.PL



caratteristiche/features



peso/weight



19 kg

rotazione/rotation

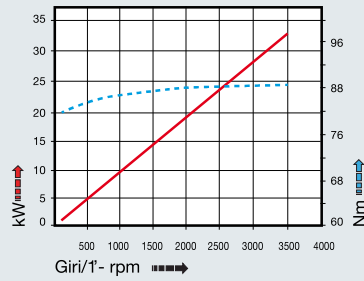


input



output

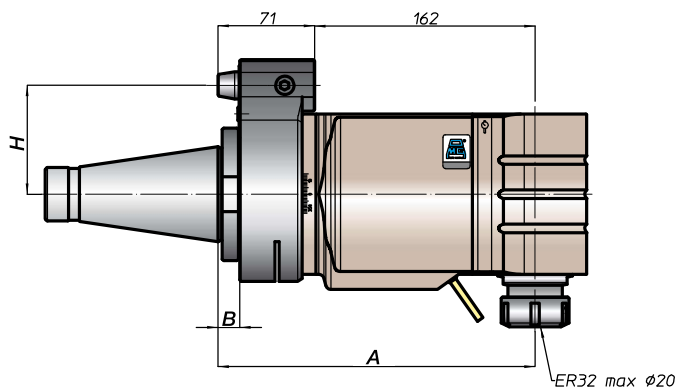
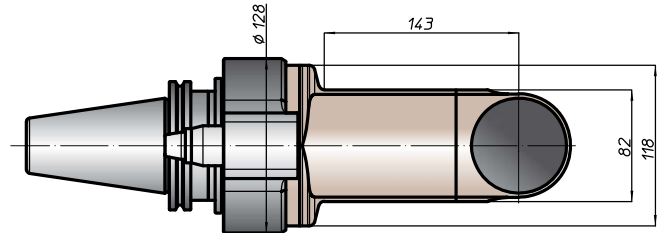
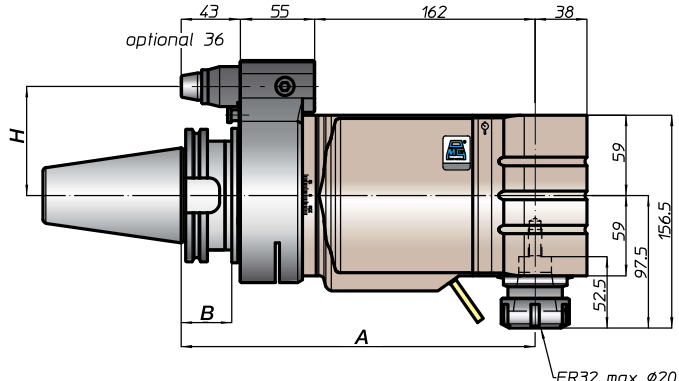
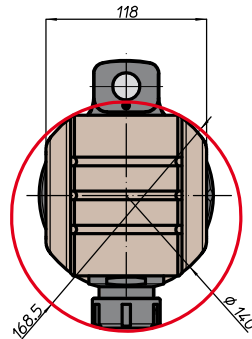
prestazioni/performance



CONO SHANK	size	A	B	H	
				standard	optional
* DIN69871	-	260	35	-	-
	45			80	110
ANSIB5.50	-	260	35	-	-
	50			80	110
* BT	-	268	45	-	-
	50			80	110
DIN69893	HSK	269	46	-	-
	80			80	110
ISO26623	CAPTO	264	46	-	-
	80			80	110
KM	-	260	46	-	-
	80			80	110
DIN2080	-	233	16	-	-
	50			80	110
ANSIB5.18	NMTB	233	16	-	-
	50			80	110

tipi mandrino disponibili / available spindle types

- 1** DIN6499-ER
ER40
- 2** Albero portafresa
Milling Shaft
Ø22-Ø27-Ø32
- 3** Weldon
Whistle-Notch
Ø20-Ø25-Ø32
- 4** DIN69893-HSK
HSK40
- 5** COROMANT
CAPTO®
C4
- 6** ABS
Licenza KOMET®
ABS40



* Option: Dual Contact

FH
BAH
TA-CP
TA
MOX
HT
VH
TSI/TSX
T
MT-TC-TC3
Accessori
Accessories
Appendice tecnica
Technical supplement

TA Extended Gallery

