

testa ad angolo - angle head

TA07.2P



caratteristiche/features



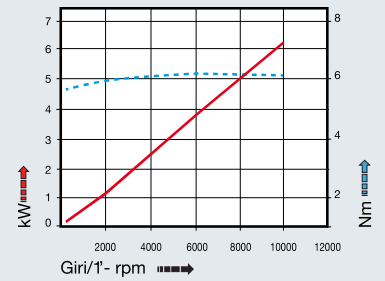
peso/weight



rotazione/rotation

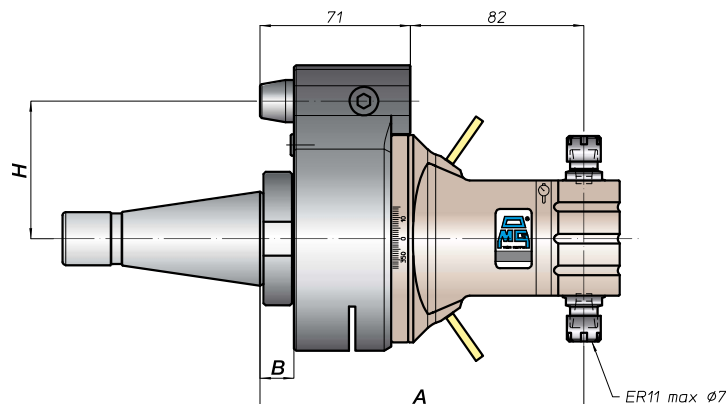
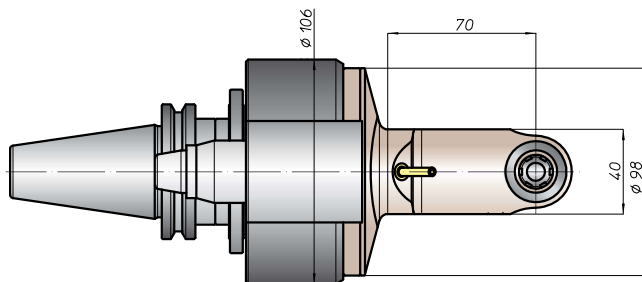
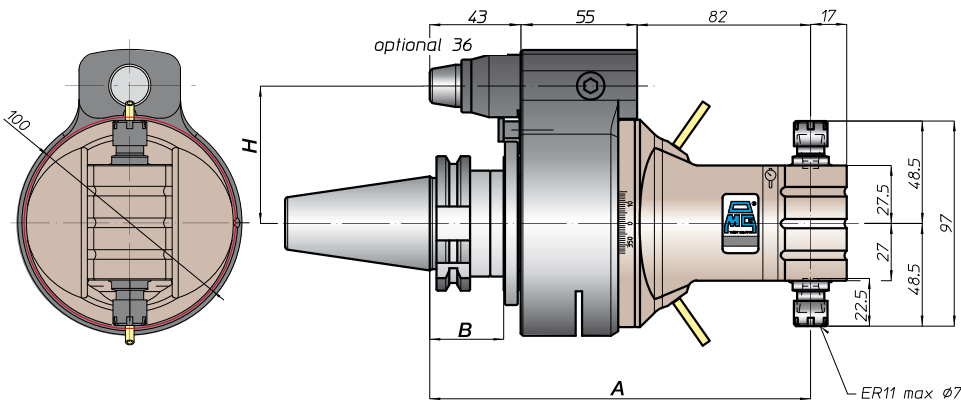


prestazioni/performance



tipi mandrino disponibili / available spindle types

3 Weldon
 Whistle-Notch
 $\varnothing 10$



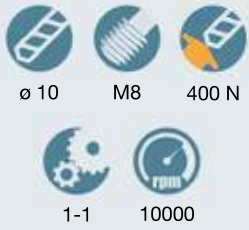
CONO SHANK	size	H			
		A	B	standard	optional
DIN69871 *	30	180	35	65	-
	40			80	110
	45			80	110
	50			80	110
ANSIB5.50 *	40	188	45	65	-
	50			80	110
* BT	40	188	45	65	-
	50			80	110
DIN69893	HSK 63	189	46	65	-
	80			80	110
	100			80	110
ISO26623	C5	184	39	65	-
	C6			80	110
	C8			80	110
KM	63	180	13	65	-
	80			80	110
	100			80	110
DIN2080	-	153	16	65	-
	40			80	110
	50			80	110
ANSIB5.18 NMTB	40	153	16	65	-
	50			80	110

* Option: Dual Contact

TA10.2P



caratteristiche/features



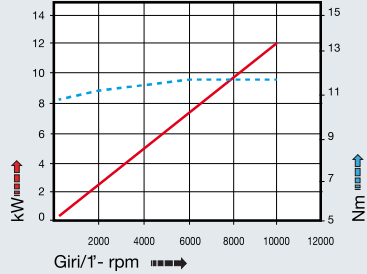
peso/weight



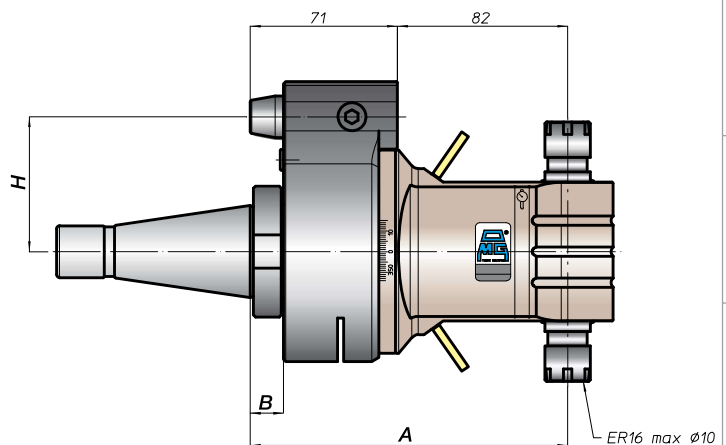
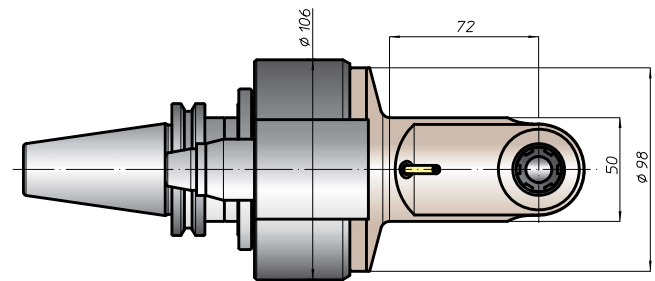
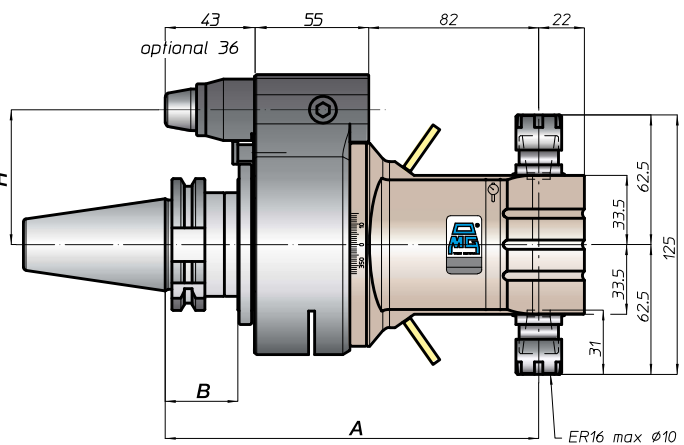
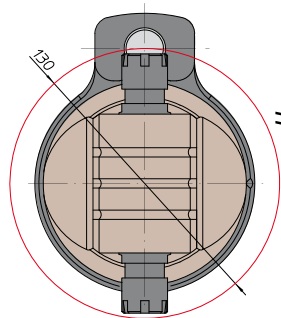
rotazione/rotation



prestazioni/performance



CONO SHANK	size	A	B	H	
				standard	optional
DIN69871 *	30	180	35	65	-
	40			80	110
	45			80	110
	50			80	110
ANSIB5.50 *	CAT	180	35	65	-
	50			80	110
* BT	40	188	45	65	-
	50			80	110
DIN69893	HSK	189	46	65	-
	80			80	110
	100			80	110
ISO26623	CAPTO	184	39	65	-
	C5			80	110
	C6			80	110
KM	63	180	46	65	-
	80			80	110
	100			80	110
DIN2080	-	150	13	65	-
	40			80	110
	50			80	110
ANSIB5.18	NMTB	153	16	65	-
	40			80	110



* Option: Dual Contact

FH

BAH

TA-CP

TA

MOX

HT

VH

TSI/TSX

T

MT-TC-TC3

Accessori
Accessories

Appendice tecnica
Technical supplement

TA13.2P



caratteristiche/features



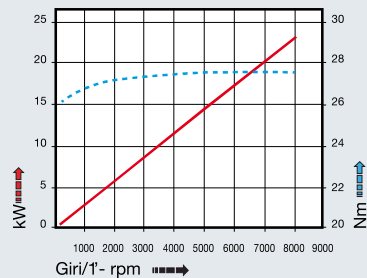
peso/weight



rotazione/rotation

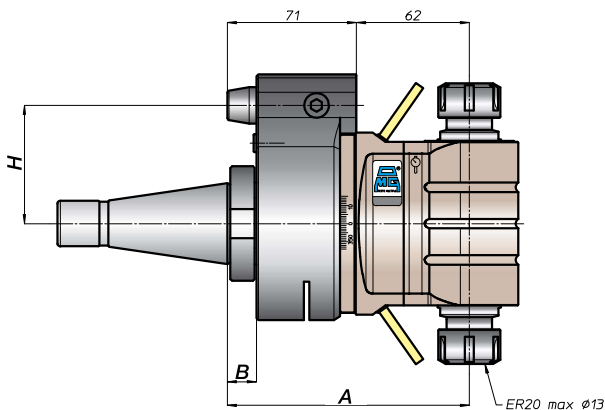
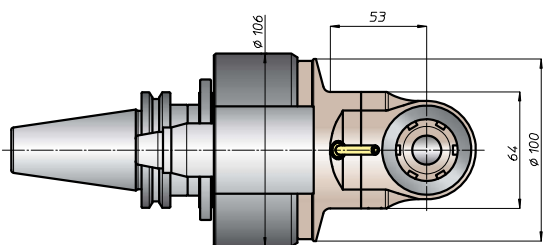
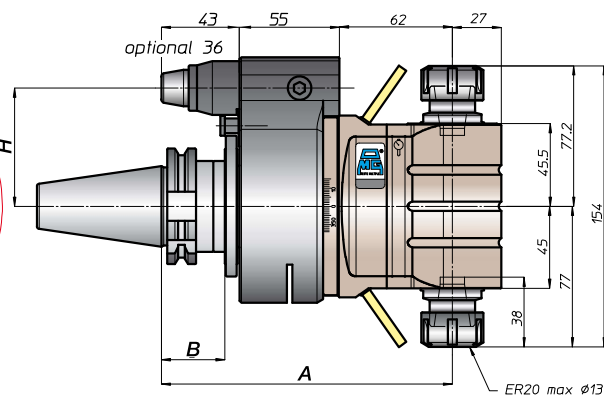
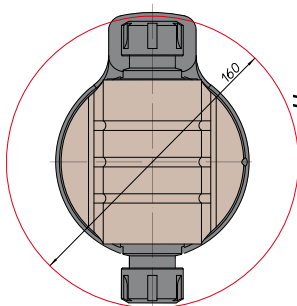


prestazioni/performance



tipi mandrino disponibili / available spindle types

1 DIN6499-ER
ER25



CONO SHANK	size	H			
		A	B	standard	optional
DIN69871 *	-	160	35	65	-
	40			80	110
	45			80	110
ANSIB5.50 *	40	168	45	65	-
	50			80	110
* BT	40	168	45	65	-
	50			80	110
DIN69893	HSK 63	169	46	65	-
	80			80	110
	100			80	110
ISO26623	C5	164	39	65	-
	C6			80	110
	C8			80	110
KM	63	160	-	65	-
	80			80	110
	100			80	110
DIN2080	-	130	13	65	-
	40			80	110
	50			80	110
ANSIB5.18 NMTB	40	133	16	65	-
	50			80	110

* Option: Dual Contact



TA16.2P



caratteristiche/features



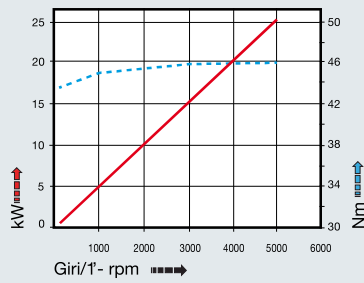
peso/weight



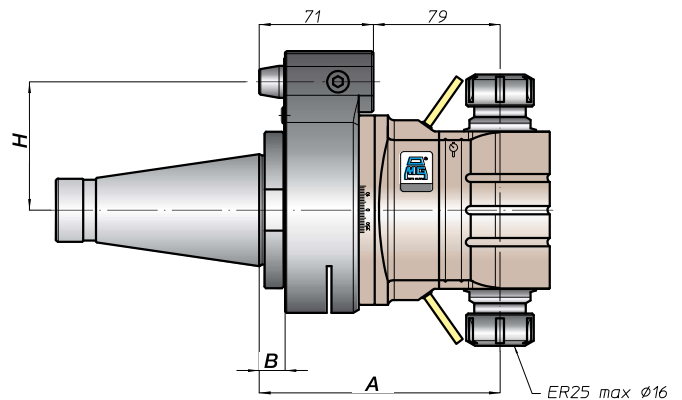
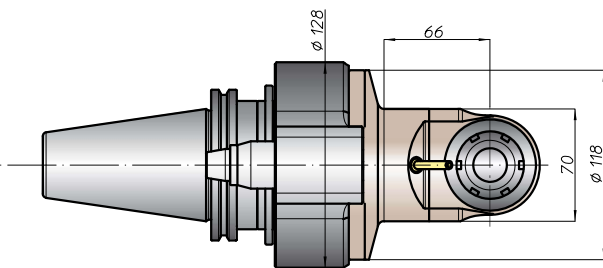
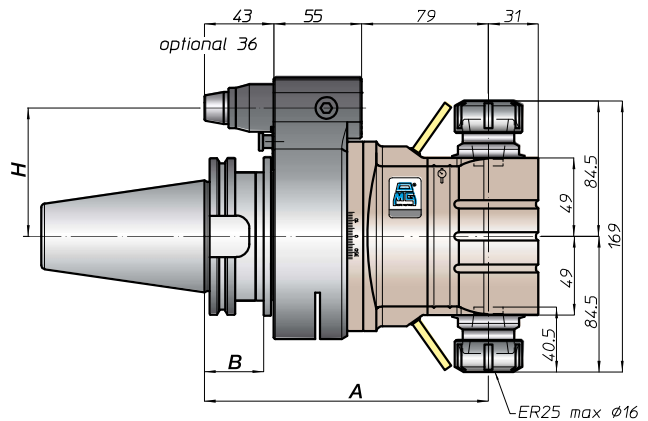
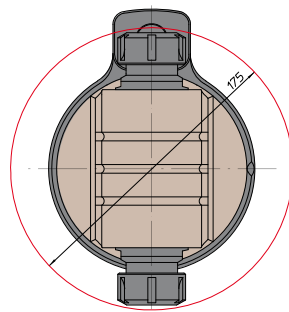
rotazione/rotation



prestazioni/performance



CONO SHANK	size	A	B	H	
				standard	optional
DIN69871 *	-	172	35	65	-
	40	172	35	65	-
	45	177	35	80	110
	50	177	35	80	110
ANSIB5.50 *	40	172	35	65	-
	50	177	35	80	110
* BT	40	172	35	65	-
	50	185	45	80	110
DIN69893	HSK 63	181	44	65	-
	80	186	46	80	110
	100	186	46	80	110
ISO26623	CAPT C5	176	39	65	-
	C6	181	39	80	110
	C8	181	39	80	110
KM	63	172	35	65	-
	80	177	35	80	110
	100	177	35	80	110
DIN2080	-	147	13	65	-
	40	150	16	80	110
	50	150	16	80	110
ANSIB5.18	NMTB 40	142	13	65	-
	50	150	16	80	110



* Option: Dual Contact

FH

BAH

TA-CP

TA

MOX

HT

VH

TSI/TSX

T

MT-TC-TC3

Accessori
Accessories

Appendice tecnica
Technical supplement

FH

BAH

TA-CP

TA

MOX

HT

VH

TSI/TSX

T

MT-TC-TC3

Accessori
AccessoriesAppendice tecnica
Technical supplement

4-46

testa ad angolo - angle head

TA20.2P



caratteristiche/features



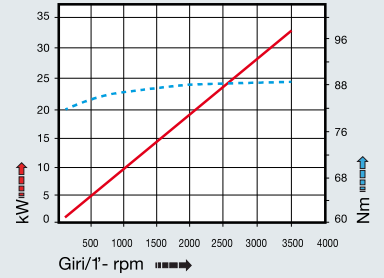
peso/weight



rotazione/rotation

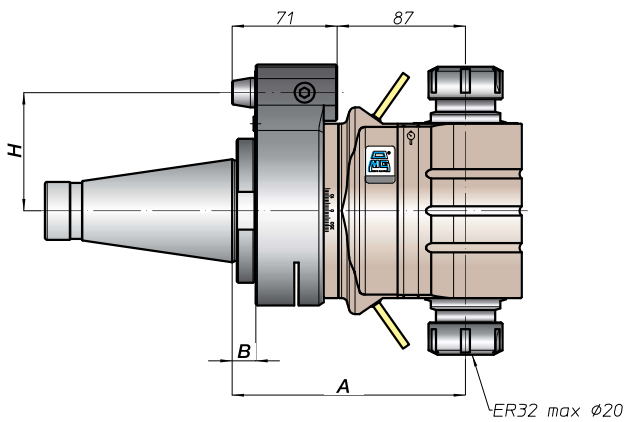
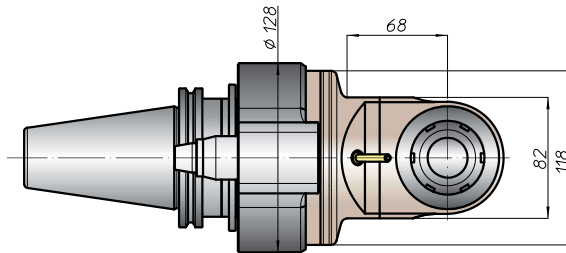
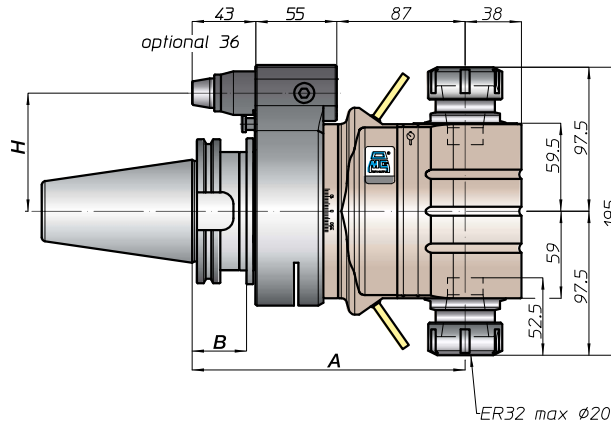
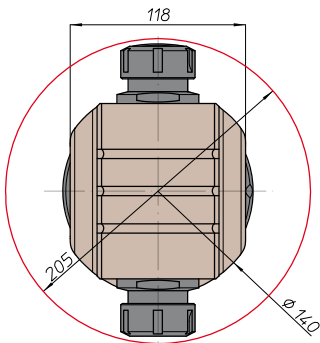


prestazioni/performance



tipi mandrino disponibili / available spindle types

- 2** Albero portafresa
Milling shaft
Ø27-Ø32
- 3** Weldon
Whistle-Notch
Ø20



CONO SHANK	size	A	B	H	
				standard	optional
DIN69871 *	-	185	35	-	-
	45			80	110
	50			80	110
ANSIB5.50 *	-	185	35	-	-
	50			80	110
* BT	-	193	45	-	-
	50			80	110
HSK	-	194	46	-	-
	80			80	110
DIN69893	-	189	-	-	-
	100			80	110
CAPTO	-	189	-	-	-
	C8			80	110
KM	-	185	-	-	-
	80			80	110
100	-	185	16	-	-
	50			80	110
DIN2080	-	158	16	-	-
	50			80	110
ANSIB5.18 NMTB	-	158	16	-	-
	50			80	110

* Option: Dual Contact

TA26.2P



caratteristiche/features



peso/weight

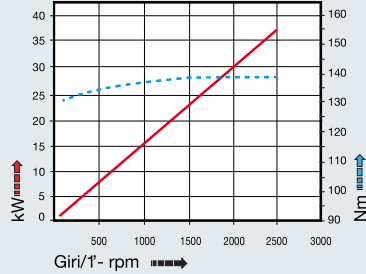


22,5 kg

rotazione/rotation



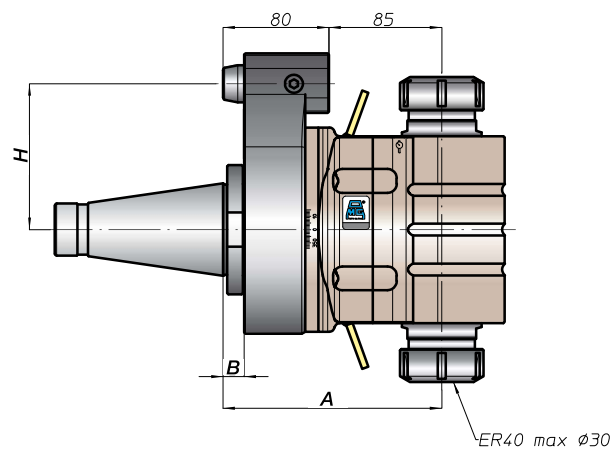
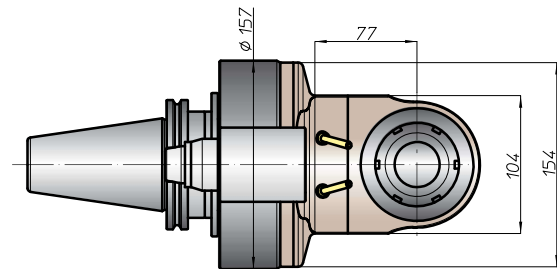
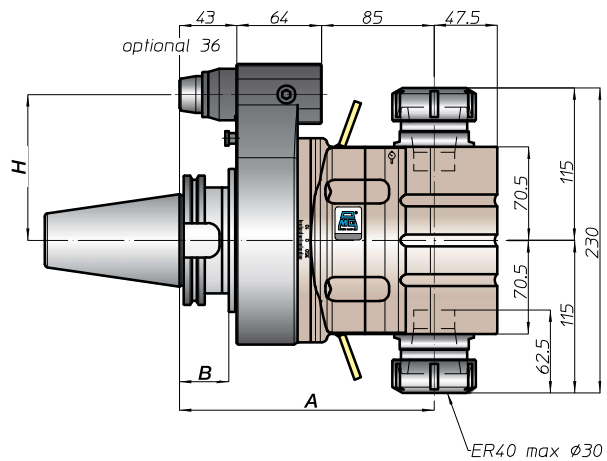
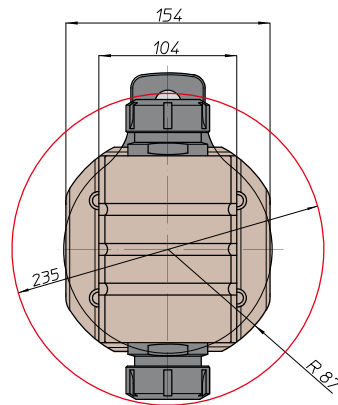
prestazioni/performance



CONO SHANK	size	A	B	H	
				standard	optional
* DIN69871	-	192	35	-	-
	45			110	-
* ANSIB5.50	-	192	35	-	-
	50			110	-
* BT	-	200	45	110	-
	50			110	-
DIN69893	HSK	201	46	110	-
	80			110	-
ISO26623	CAPTO	196	-	110	-
	C8			110	-
KM	-	192	-	110	-
	100			110	-
DIN2080	-	165	16	110	-
	50			110	-
ANSIB5.18	NMTB	165	16	110	-
	50			110	-

tipi mandrino disponibili / available spindle types

- 2** Albero portafresa / Milling Shaft
 - 3** Weldon Whistle-Notch
 - 6** ABS Licenza KOMET®
- Ø16-Ø27-Ø32 Ø32 ABS50**



* Option: Dual Contact

FH

BAH

TA-CP

TA

MOX

HT

VH

TSI/TSX

T

MT-TC-TC3

Accessori
Accessories

Appendice tecnica
Technical supplement