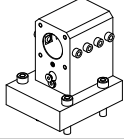
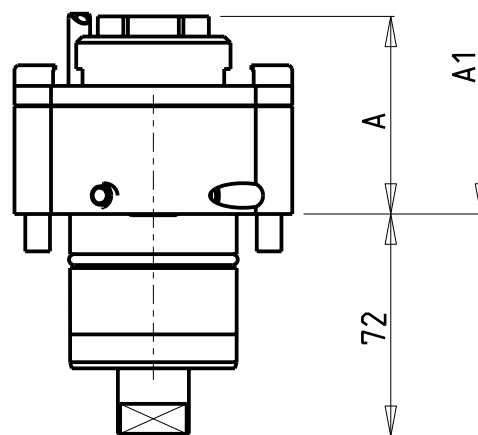
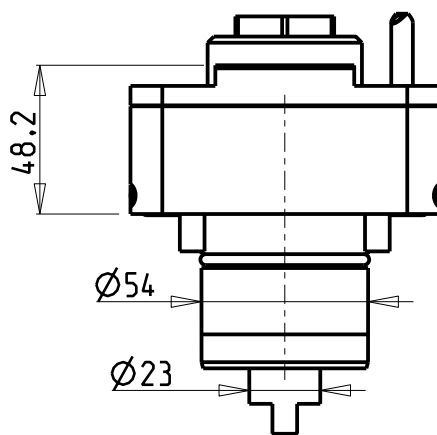
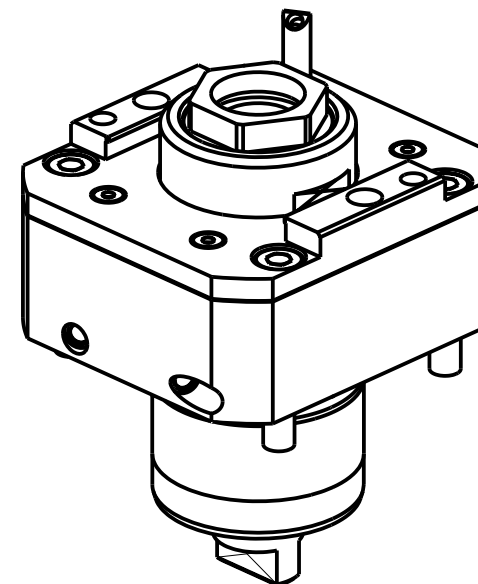
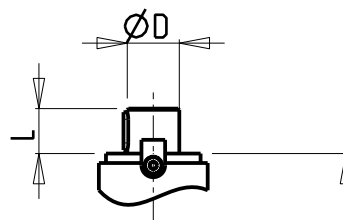
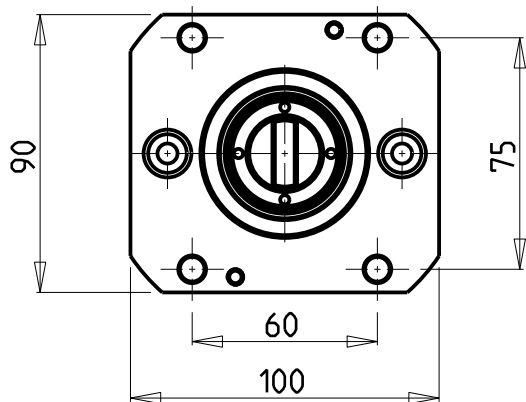


		PAGINA Page Seite
<p>MODULO MOTORIZZATO RADIALE Radial driven tool Radial angetriebenes Werkzeug</p>		MYA010.3.00
<p>MODULO MOTORIZZATO ASSIALE H=75mm Axial driven tool H=75mm Axial angetriebenes Werkzeug H=75mm</p>		MYA150.3.10
<p>MODULO MOTORIZZATO ASSIALE MOLTIPLICATO I=1:2 H=75mm Axial geared-up I=1:2 driven tool H=75mm Axial angetriebenes Werkzeug uebersetzt I=1:2 H=75mm</p>		MYA200.3.10
<p>MODULO MOTORIZZATO ORIENTABILE ±90° ±90° adjustable angle driven tool Angetriebenes Werkzeug schwenkbar ±90°</p>		MYA335.3.00
<p>MODULO MOTORIZZATO ORIENTABILE ±90° CON NONIO DIGITALE ±90° adjustable angle driven tool with digital display Angetriebenes Werkzeug schwenkbar ±90° mit digital display</p>		MYA335.3.01
<p>MODULO MOTORIZZATO ORIENTABILE ±90° MOLTIPLICATO I=1:2 ±90° adjustable angle driven tool geared-up I=1:2 Angetriebenes Werkzeug schwenkbar ±90° uebersetzt I=1:2</p>		MYA336.3.00
<p>MOD. MOTORIZZ. ORIENTABILE ±90° MOLTIPL. I=1:2 CON NONIO DIGITALE ±90° adjustable angle driven tool geared-up I=1:2 with digital display Angetriebenes Werkzeug schwenkbar ±90° uebersetzt I=1:2 mit digital display</p>		MYA336.3.01
<p>MODULO MOTORIZZATO PORTACREATORE Driven gear hobber Angetriebenes Zahnradwaelzfraes-Werkzeug</p>		MYA340.3.00
<p>MODULO MOTORIZZATO ASSIALE MTSK PER POWER SKIVING H=85mm Axial MTSK driven tool for Power Skiving H=85mm Axial MTSK angetriebenes Werkzeug fuer Power Skiving H=85mm</p>		MYA350.3.00.K
<p>PORTAUTENSILE RADIALE SINGOLO QD=20mm Radial single static tool QD=20mm Radial Single-Werkzeughalter QD=20mm</p>		MYA420.3.00
<p>PORTAUTENSILE PER LAMA DOPPIO Radial double blade holder Radial Doppel-Abstechhalter</p>		MYA520.3.00 
<p>PORTAUTENSILE PER LAMA DOPPIO CON LUBRIFICAZIONE INTERNA Radial double blade holder with internal coolant Radial Doppel-Abstechhalter mit Innenkuehlung</p>		MYA520.3.04 

		PAGINA Page Seite
PORTAUTENSILE ASSIALE ARRETRATO PER BARENO Ø32mm H=85mm Axial single rear set boring bar holder Ø32mm H=85mm Axial Bohrhalter zurueckversetzt Ø32mm H=85mm		MYA847.3.10



- Chiave inclusa
- Key included
- Schlüssel inbegriffen

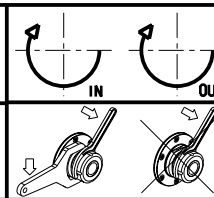
Cod. MT	Mandrino Spindle Spindel	I	RPM	Coppia Max Max Torque Max Drehmoment	Lubrificazione int. Coolant through Innenkuhlung	Lubrificazione est. Ext. coolant Ausseinkuehlung	A	A1	D	L	CHIAVI NON INCLUSE Keys not included Schluessel nicht inbegriffen	
MYA0140332	ERA32	1:1	6000	50Nm	-	X	64	-	-	-	OKU0650004 ▪	CHUB32
MYA0140432	ERA32	1:1	6000	50Nm	P=70bar	X	74.5	-	-	-	OKU0650004 ▪	CHUB32
MYA0140522	Ø22x19	1:1	6000	50Nm	-	X	-	51.5	22	19	OKU0650004 ▪	CH_VTCROCE_M10 ▪

NEW

MIYANO
MOD: ABX-51/64/80 SY/THY

MODULO MOTORIZZATO RADIALE
Radial driven tool
Radial angetriebenes Werkzeug

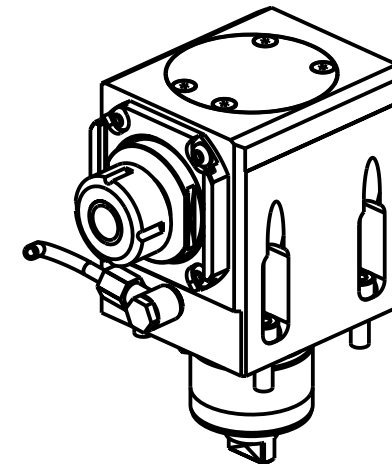
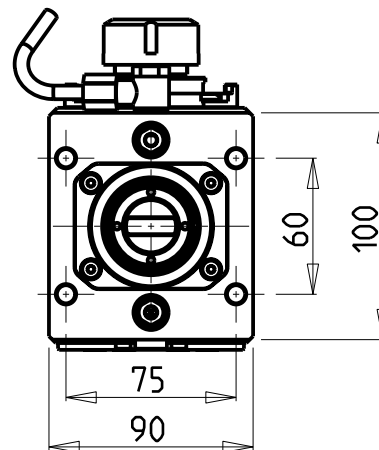
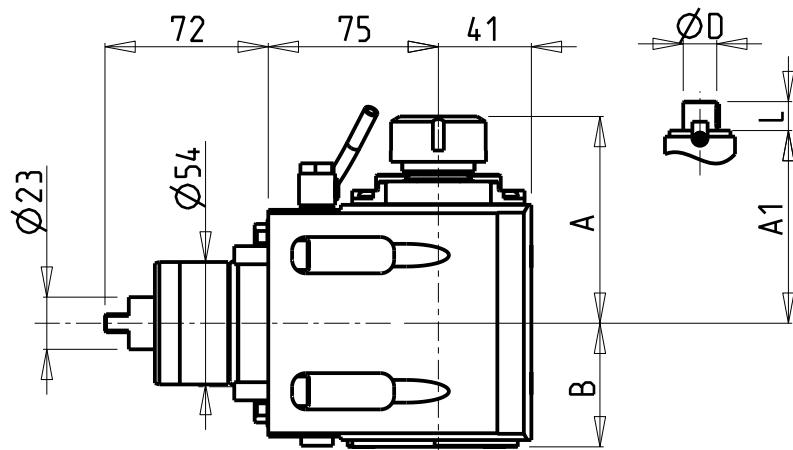
Subject to change without notice.



M.T. srl
Via Casino Albini 480
Tel. 0541/956034-957884
Fax 0541/956341
47842 S. GIOVANNI IN M. (RN)
e-mail: mtma@mtmarchetti.com
http://www.mtmarchetti.com



PAGINA MYA010-3-00

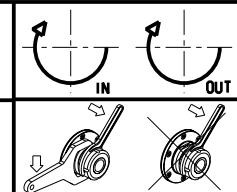


- Chiave inclusa
- Key included
- Schluessel inbegriffen

Cod. MT	Mandrino Spindel Spindel	I	RPM	Coppia Max Max Torque Max Drehmoment	Reversibile lato mandrino/contromandrino Reversible sub/main spindle side Umkehrbare Spindelseite/ Gegenspindel-seite	Lubrificazione int. Coolant through Innenkuehlung	Lubrificazione est. Ext. coolant Aussenkuehlung	A	A1	B	CHIAVI NON INCLUDE Keys not included Schluessel nicht einbegriffen	
MYA0150125	ER25	1:1	6000	50Nm	X	-	X	91.16	-	54.5	-	CHSTER25 OKU0650004
MYA0150325	ERA25	1:1	6000	50Nm	X	-	X	65	-	54.5	CHUB27	CHTAER25ZC OKU0650004
MYA0150132	ER32	1:1	6000	50Nm	X	-	X	93.66	-	54.5	-	CHSTER32 OKU0650004
MYA0150140	ER40	1:1	6000	50Nm	X	-	X	98.16	-	54.5	-	CHSTER40 OKU0650004
MYA0150225	ER25	1:1	6000	50Nm	X	P=70bar	X	91.16	-	65.5	-	CHSTER25 OKU0650004
MYA0150425	ERA25	1:1	6000	50Nm	X	P=70bar	X	65	-	65.5	CHUB27	CHTAER25ZC OKU0650004
MYA0150232	ER32	1:1	6000	50Nm	X	P=70bar	X	93.66	-	65.5	-	CHSTER32 OKU0650004
MYA0150240	ER40	1:1	6000	50Nm	X	P=70bar	X	98.16	-	65.5	-	CHSTER40 OKU0650004
MYA0150516	Ø16x17	1:1	6000	50Nm	X	-	X	-	67.5	54.5	-	CH_VTCROCE_M08 OKU0650004
MYA0150522	Ø22x19	1:1	6000	50Nm	X	-	X	-	67.5	54.5	-	CH_VTCROCE_M10 OKU0650004
MYA0150527	Ø27x21	1:1	6000	50Nm	X	-	X	-	70	54.5	-	CH_VTCROCE_M12 OKU0650004

MIYANO
MOD: ABX-51/64/80 SY/THY

MODULO MOTORIZZATO ASSIALE H=75mm
Axial driven tool H=75mm
Modul angetriebenes Werkzeug H=75mm



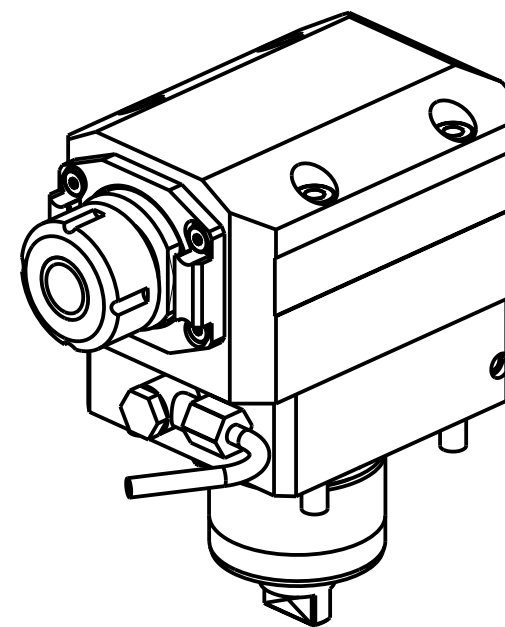
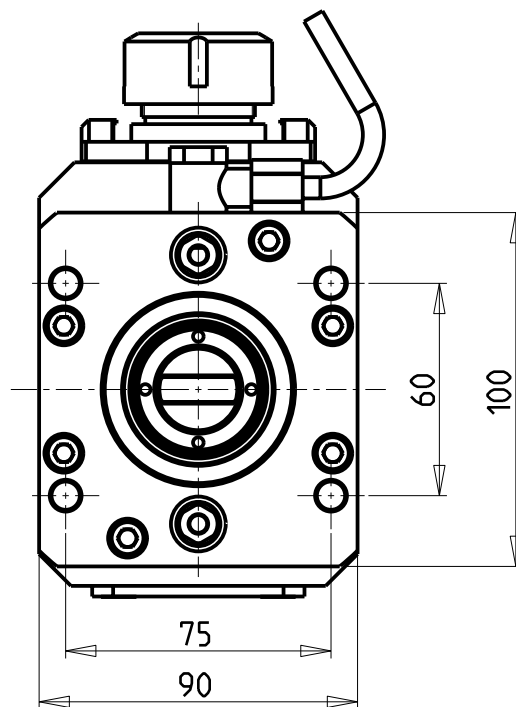
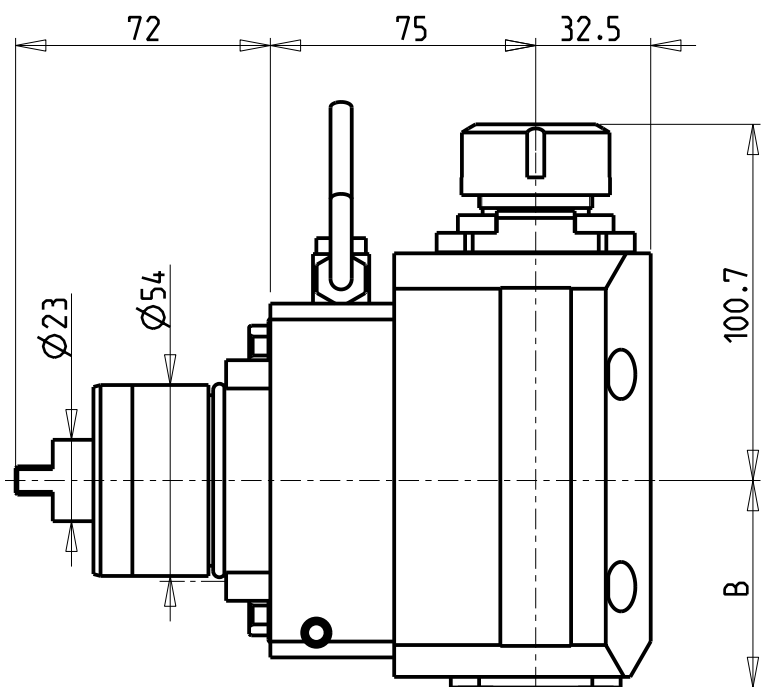
M.T. srl
Via Casino Albini 480
Tel. 0541/956034-957884
Fax 0541/956341
47842 S. GIOVANNI IN M. (RN)
e-mail: mtma@mtmarchetti.com
http://www.mtmarchetti.com



PAGINA MYA150-3-10

Subject to change without notice.

03/2023

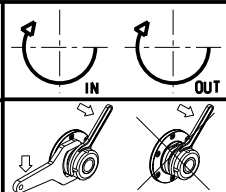


Cod. MT	Mandrino Spindle Spindel	I	RPM	Coppia Max Max Torque Max Drehmoment	Reversibile lato mandrino/contromandrino Reversible sub/main spindle side Umkehrbare Spindel-seite/ Gegenspindel-seite	Lubrificazione int. Coolant through Innenkuehlung	Lubrificazione est. Ext. coolant Aussenkuehlung	B	CHIAVI NON INCLUSE Keys not included Schluessel nicht einbegriffen	
MYA0160125	ER25	1:2	12000	30Nm	X	-	X	58.5	CHSTER25	OKU0290009 •
MYA0160225	ER25	1:2	12000	30Nm	X	P=70bar	X	68.5	CHSTER25	OKU0290009 •

- Chiave inclusa
- Key included
- Schluessel inbegriffen

MIYANO
MOD: ABX-51/64/80 SYY/THY

MODULO MOTORIZZATO ASSIALE MOLTIPLICATO I=1:2 H=75mm
Axial geared-up I=1:2 driven tool H=75mm
Axial angetriebenes Werkzeug uebersetzt I=1:2 H=75mm

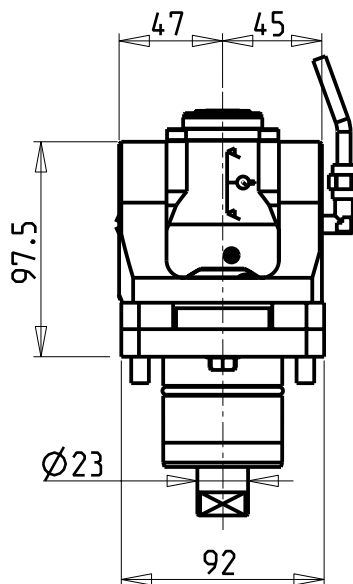
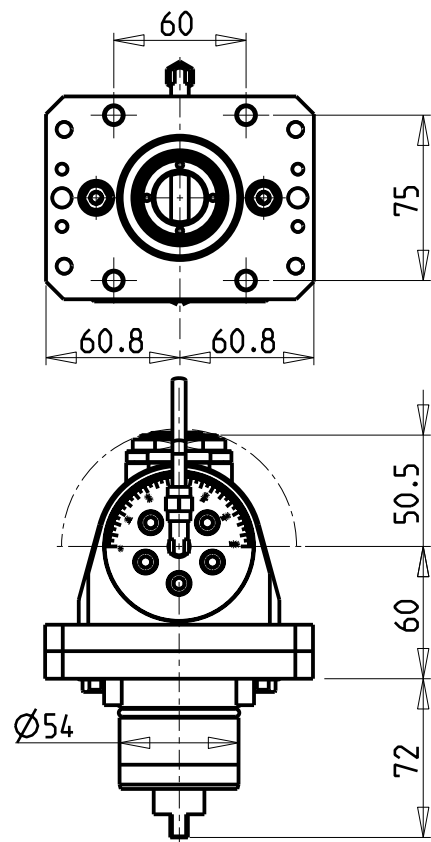


M.T. srl
Via Casino Albini 480
Tel. 0541/956034-957884
Fax 0541/956341
47842 S. GIOVANNI IN M. (RN)
e-mail: mtma@mtmarchetti.com
http://www.mtmarchetti.com



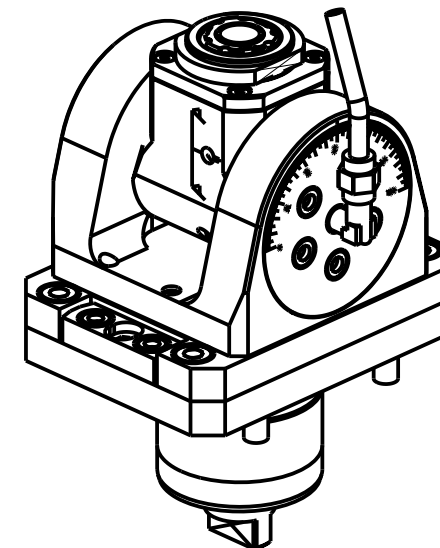
PAGINA MYA200-3-10

Subject to change without notice.



ATTENZIONE - ATTENTION - ACHTUNG

- Per lo smontaggio degli utensili utilizzare sempre la chiave di contrasto come indicato nel manuale d'uso.
- For disassembly of the tools use always the contrast key as mentioned in the user instructions.
- Fuer das Abmontieren der Werkzeuge immer den Gegenschlüssel benutzen wie in der Bedienungsanleitung erwäehnt.



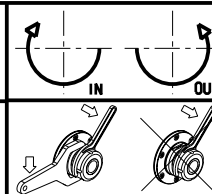
Cod. MT	Mandrino Spindle Spindel	I	RPM	Coppia Max Max Torque Max Drehmoment	Reversibile lato mandrino/contromandrino Reversible sub/main spindle side Umkehrbare Spindel-seite/ Gegenspindel-seite	Lubrificazione int. Coolant through Innenkuehlung	Lubrificazione est. Ext. coolant Aussenkuehlung	CHIAVI INCLUSE Keys included Schluessel inbegriffen			
								CHUB36	CHUB22	CHESL06	CHTAER20ZC
MYA0120120	ERA20	1:1	6000	30Nm	X	-	X	CHUB36	CHUB22	CHESL06	CHTAER20ZC
MYA0120220	ERA20	1:1	6000	30Nm	X	P=70bar	X	CHUB36	CHUB22	CHESL06	CHTAER20ZC

MIYANO

MOD: ABX-51/64/80 SYY/THY

MODULO MOTORIZZATO ORIENTABILE +/-90° H=60mm
 +/-90° adjustable angle driven tool H=60mm
 Angetriebenes Werkzeug schwenkbar +/-90° H=60mm

Subject to change without notice.

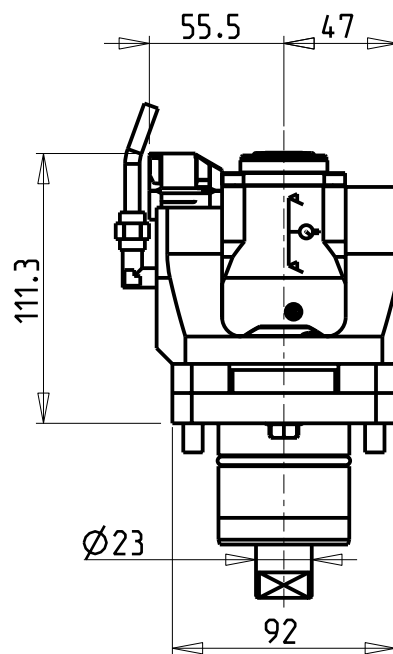
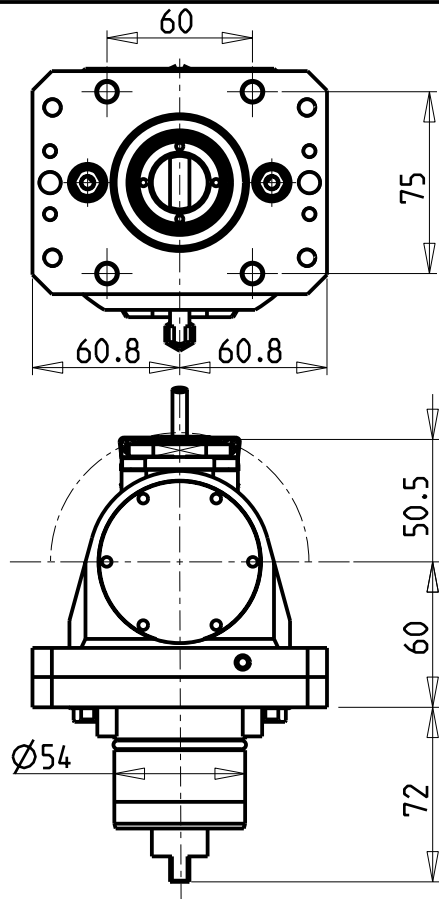


M.T. srl

Via Casino Albini 480
 Tel. 0541/956034-957884
 Fax 0541/956341
 47842 S. GIOVANNI IN M. (RN)
 e-mail: mtma@mtmarchetti.com
 http://www.mtmarchetti.com

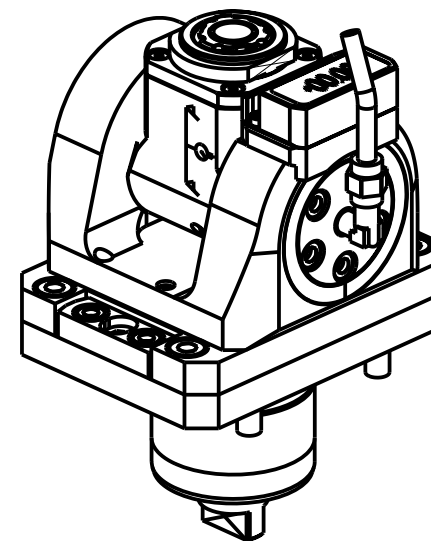


PAGINA MYA335-3-00



ATTENZIONE - ATTENTION - ACHTUNG

- Per lo smontaggio degli utensili utilizzare sempre la chiave di contrasto come indicato nel manuale d'uso.
- For disassembly of the tools use always the contrast key as mentioned in the user instructions.
- Fuer das Abmontieren der Werkzeuge immer den Gegenschlüssel benutzen wie in der Bedienungsanleitung erwaehnt.



Cod. MT	Mandrino Spindle Spindel	I	RPM	Coppia Max Max Torque Max Drehmoment	Reversibile lato mandrino/contromandrino Reversible sub/main spindle side Umkehrbare Spindel-seite/ Gegenspindel-seite	Lubrificazione int. Coolant through Innenkuehlung	Lubrificazione est. Ext. coolant Aussenkuehlung	CHIAVI INCLUSE Keys included Schluessel inbegriffen			
								CHUB36	CHUB22	CHESL06	CHTAER20ZC
MYA0125120	ERA20	1:1	6000	30Nm	X	-	X	CHUB36	CHUB22	CHESL06	CHTAER20ZC
MYA0125220	ERA20	1:1	6000	30Nm	X	P=70bar	X	CHUB36	CHUB22	CHESL06	CHTAER20ZC

MIYANO

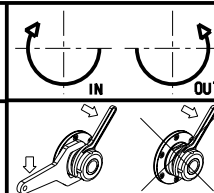
MOD: ABX-51/64/80 SYY/THY

MODULO MOTORIZZATO ORIENTABILE +/-90° CON NONIO DIGITALE H=60mm

+/-90° adjustable angle driven tool with digital display H=60mm

Angetriebenes Werkzeug schwenkbar +/-90° mit digital display H=60mm

Subject to change without notice.



M.T. srl

Via Casino Albini 480
Tel. 0541/956034-957884

Fax 0541/956341

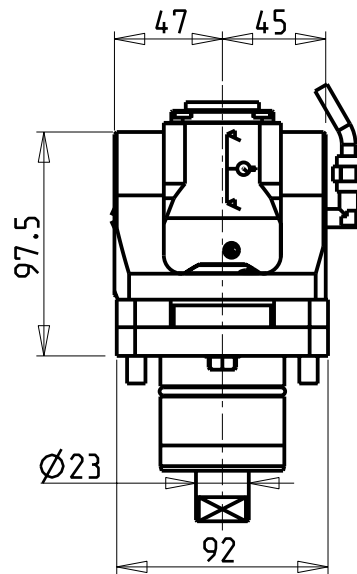
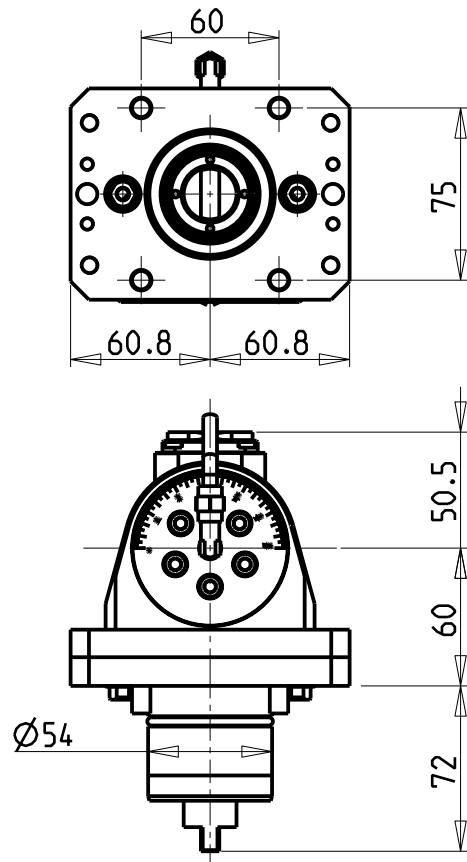
47842 S. GIOVANNI IN M. (RN)

e-mail: mtma@mtmarchetti.com

http://www.mtmarchetti.com

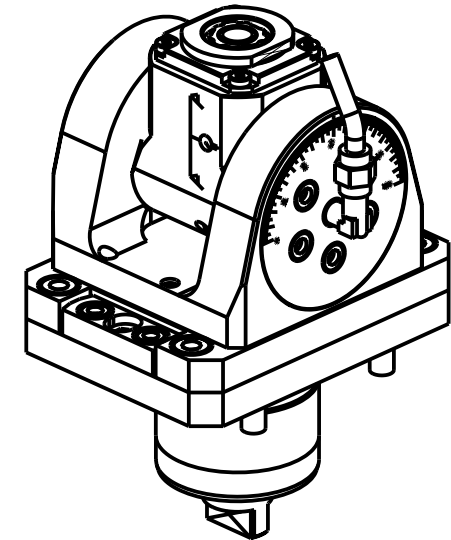


PAGINA MYA335-3-01



ATTENZIONE - ATTENTION - ACHTUNG

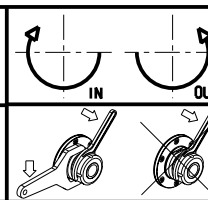
- Per lo smontaggio degli utensili utilizzare sempre la chiave di contrasto come indicato nel manuale d'uso.
- For disassembly of the tools use always the contrast key as mentioned in the user instructions.
- Fuer das Abmontieren der Werkzeuge immer den Gegenschlüssel benutzen wie in der Bedienungsanleitung erwaeht.



Cod. MT	Mandrino Spindle Spindel	I	RPM	Coppia Max Max Torque Max Drehmoment	Reversibile lato mandrino/contromandrino Reversible sub/main spindle side Umkehrbare Spindel-seite/ Gegenspindel-seite	Lubrificazione int. Coolant through Innenkuehlung	Lubrificazione est. Ext. coolant Aussenkuehlung	CHIAVI INCLUSE Keys included Schluessel inbegriffen			
								C HUB19_SP3	C HUB32	C HESL06	C HTAER16ZC
MYA0120316	ERA16	1:2	12000	8Nm	X	-	X	C HUB19_SP3	C HUB32	C HESL06	C HTAER16ZC
MYA0120416	ERA16	1:2	12000	8Nm	X	P=70bar	X	C HUB19_SP3	C HUB32	C HESL06	C HTAER16ZC

MIYANO
MOD: ABX-51/64/80 SYY/THY

MODULO MOTORIZZATO ORIENTABILE +/-90° MOLTIPLICATO I=1:2 H=60mm
 +/-90° adjustable angle driven tool geared-up I=1:2 H=60mm
 Angetriebenes Werkzeug schwenkbar +/-90° uebersetzt I=1:2 H=60mm

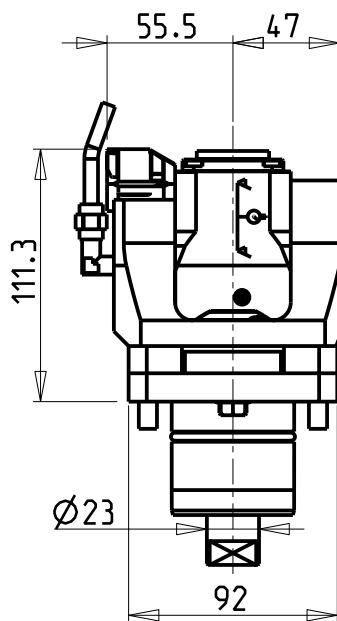
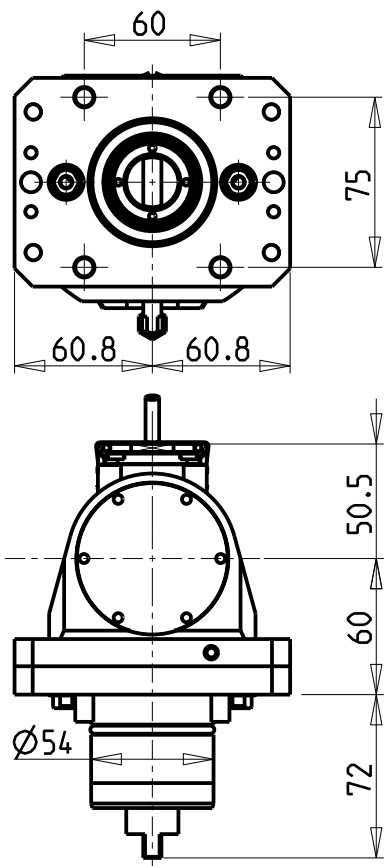


M.T. srl
 Via Casino Albini 480
 Tel. 0541/956034-957884
 Fax 0541/956341
 47842 S. GIOVANNI IN M. (RN)
 e-mail: mtma@mtmarchetti.com
 http://www.mtmarchetti.com



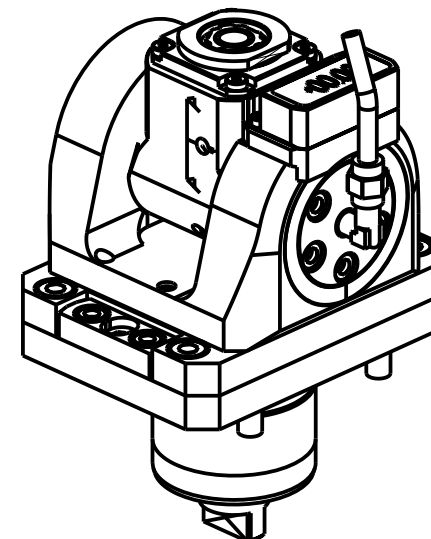
PAGINA MYA336-3-00

Subject to change without notice.



ATTENZIONE - ATTENTION - ACHTUNG

- Per lo smontaggio degli utensili utilizzare sempre la chiave di contrasto come indicato nel manuale d'uso.
- For disassembly of the tools use always the contrast key as mentioned in the user instructions.
- Fuer das Abmontieren der Werkzeuge immer den Gegenschlüssel benutzen wie in der Bedienungsanleitung erwäehnt.

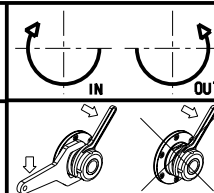


Cod. MT	Mandrino Spindle Spindel	I	RPM	Coppia Max Max Torque Max Drehmoment	Reversibile lato mandrino/contromandrino Reversible sub/main spindle side Umkehrbare Spindel-seite/ Gegenspindel-seite	Lubrificazione int. Coolant through Innenkuehlung	Lubrificazione est. Ext. coolant Aussenkuehlung	CHIAVI INCLUSE Keys included Schluessel inbegriffen			
								C HUB19_SP3	C HUB32	C HESL06	C HTAER16ZC
MYA0125316	ERA16	1:2	12000	8Nm	X	-	X	C HUB19_SP3	C HUB32	C HESL06	C HTAER16ZC
MYA0125416	ERA16	1:2	12000	8Nm	X	P=70bar	X	C HUB19_SP3	C HUB32	C HESL06	C HTAER16ZC

MIYANO

MOD: ABX-51/64/80 SYY/THY

MODULO MOTORIZZATO ORIENTABILE +/-90° MOLTIPLICATO I=1:2 CON NONIO DIGITALE H=60mm
 +/-90° adjustable angle driven tool geared-up I=1:2 with digital display H=60mm
 Angetriebenes Werkzeug schwenkbar +/-90° uebersetzt I=1:2 mit digital display H=60mm



M.T. srl

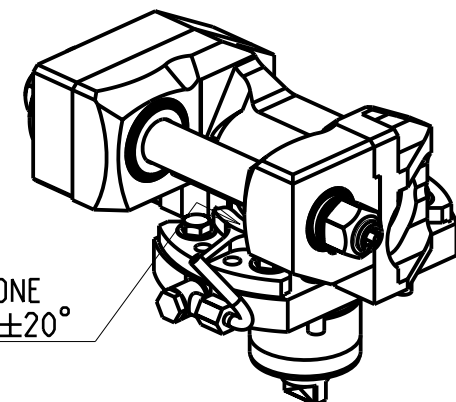
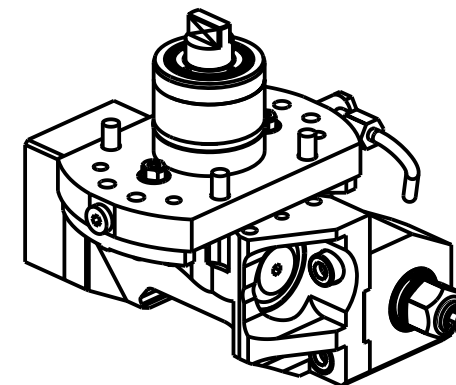
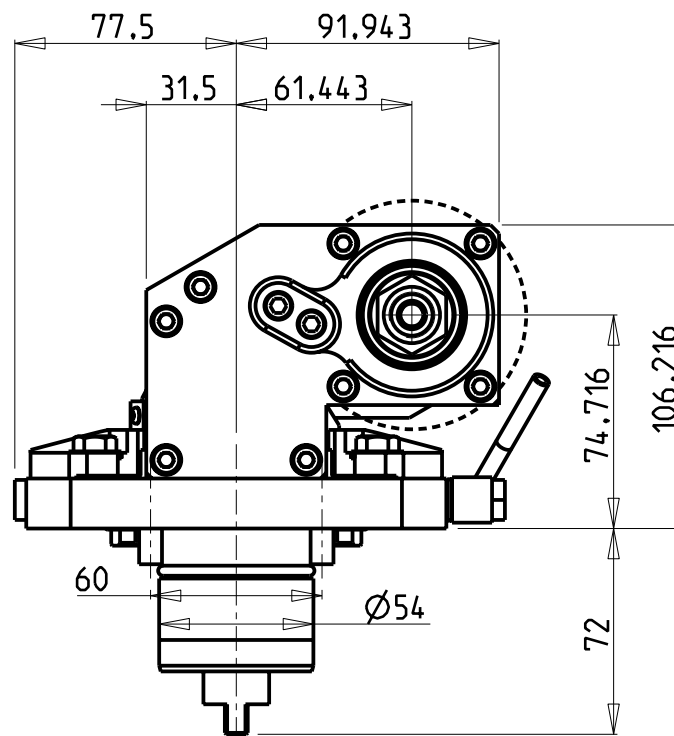
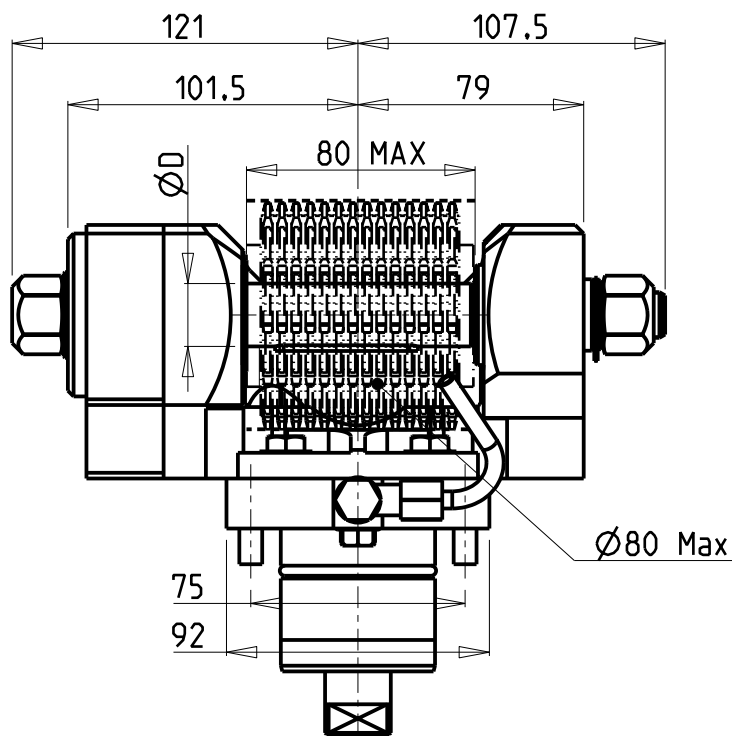
Via Casino Albini 480
 Tel. 0541/956034-957884
 Fax 0541/956341
 47842 S. GIOVANNI IN M. (RN)
 e-mail: mtma@mtmarchetti.com
 http://www.mtmarchetti.com



PAGINA MYA336-3-01

Subject to change without notice.

03/2023



INCLINAZIONE
REGOLABILE $\pm 20^\circ$

DOTAZIONI - SUPPLIED WITH - AUSSTATTUNG

- mm / inch
- N°1 ALBERO + DISTANZIALI
 - N°1 SHAFT + SPACER
 - N°1 DORN + ABSTANDSSTUECK

PER ALBERI E DISTANZIALI VEDI PAG. TBL250-1-00
FOR SHAFT END SPACER SEE PAGE TBL250-1-00
FUER DORN UND ABSTANDSSTUECK SEITE TBL250-1-00

Cod. MT	I	RPM	Coppia Max Max Torque Max Drehmoment	Reversibile lato mandrino/contromandrino Reversible sub/main spindle side Umkehrbare Spindel-seite/ Gegenspindel-seite	Lubrificazione est. Ext. coolant Aussenkuehlung	D (mm)	D (Inch)	CHIAVI INCLUSE Keys included Schlüssel inbegriffen			
MYA0131100	1:1	6000	60Nm	X	X	16-22-27-32	3/4"-1"-1 1/4"	CHUB24	CHUB13	CHESL06	CHESL08
MYA0132100	2:1	3000	80Nm	X	X	16-22-27-32	3/4"-1"-1 1/4"	CHUB24	CHUB13	CHESL06	CHESL08

MIYANO

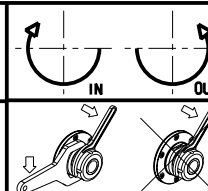
MOD: ABX-51/64/80 SY/THY

MODULO MOTORIZZATO PORTACREATORE

Driven gear hobber

Angetriebenes Zahnradwaelzfraes-Werkzeug

Subject to change without notice.



M.T. srl

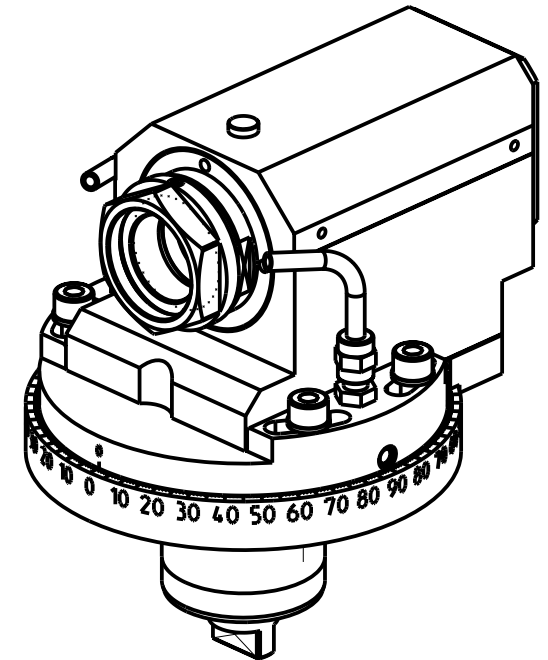
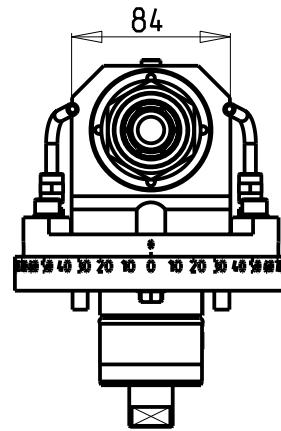
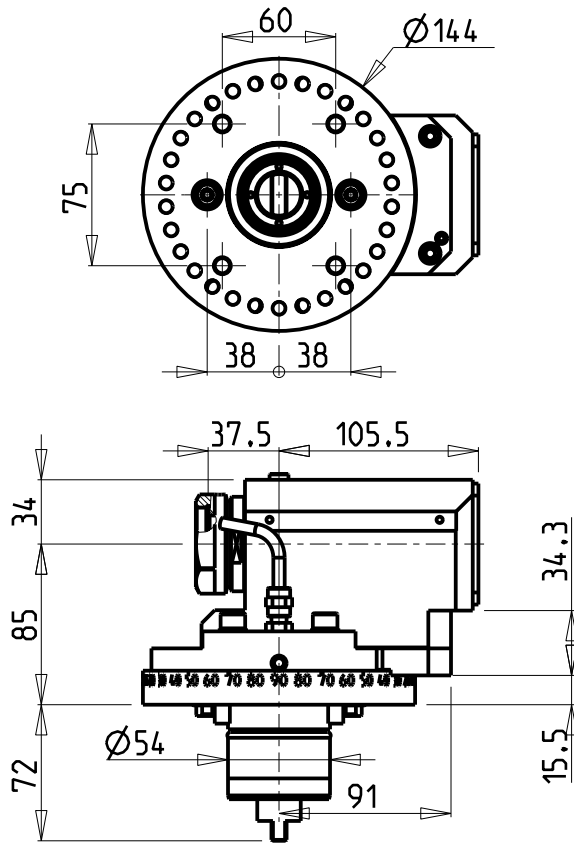
Via Casino Albini 480
Tel. 0541/956034-957884
Fax 0541/956341
47842 S. GIOVANNI IN M. (RN)
e-mail: mtma@mtmarchetti.com
http://www.mtmarchetti.com



PAGINA MYA340-3-00

ATTENZIONE - ATTENTION - ACHTUNG

- VERIFICARE LE MISURE DI INGOMBRO PER POSSIBILE INTERFERENZA SU ALCUNI MODELLI DI MACCHINE
- Please check the overall sizes for possible interferences on some machine models
- Bitte überprüfen sie das ausmass um mögliche interferenzen auf einigen maschinen modellen zu vermeiden



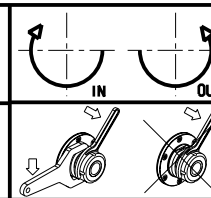
PER PORTAUTENSILI MODULARI MTSK-40 VEDI PAG. TBL300-1-40
 FOR MTSK-40 QUICK CHANGE TOOLHOLDERS CLAMPINGS SEE PAGE TBL300-1-40
 FUER MTSK-40 MODULARE WERKZEUGAUFNAHMEN SIEHE SEITE TBL300-1-40

Cod. MT	Mandrino Spindle Spindel	I	RPM	Coppia Max Max Torque Max Drehmoment	Reversibile lato mandrino/contromandrino Reversible sub/main spindle side Umkehrbare Spindel-seite/ Gegenspindel-seite	Lubr.esterna Ext. coolant Aussenkuehlung	CHIAVI INCLUDE Keys included Schluessel einbegriffen
MYA0210100	MTSK-40	1:1	6000	50Nm	X	X	n°2 CHUB46

MIYANO
 MOD: ABX-51/64/80 SYY/THY

MODULO MOTORIZZATO ASSIALE MTSK PER POWER SKIVING H=85mm
 Axial MTSK driven tool for Power Skiving H=85mm
 Axial MTSK angetriebenes Werkzeug fuer Power Skiving H=85mm

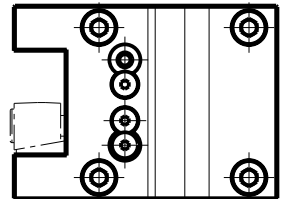
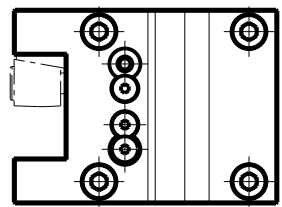
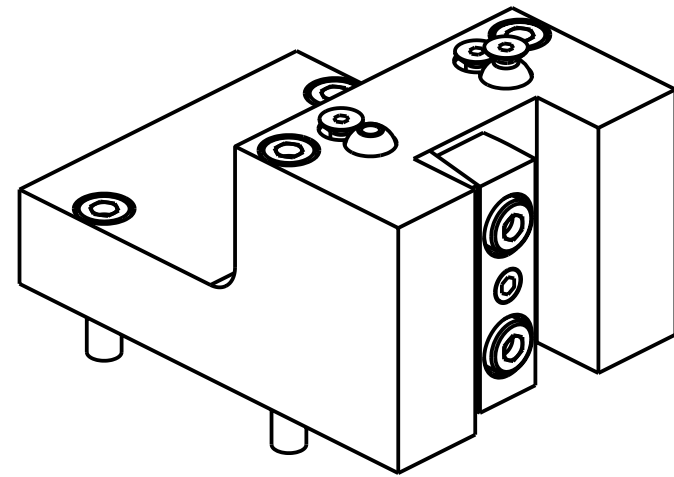
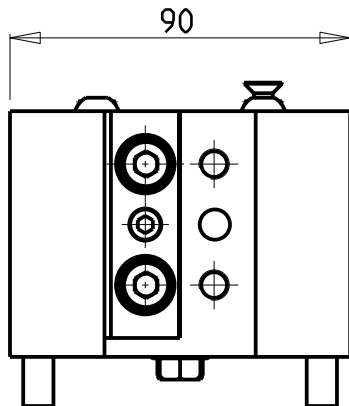
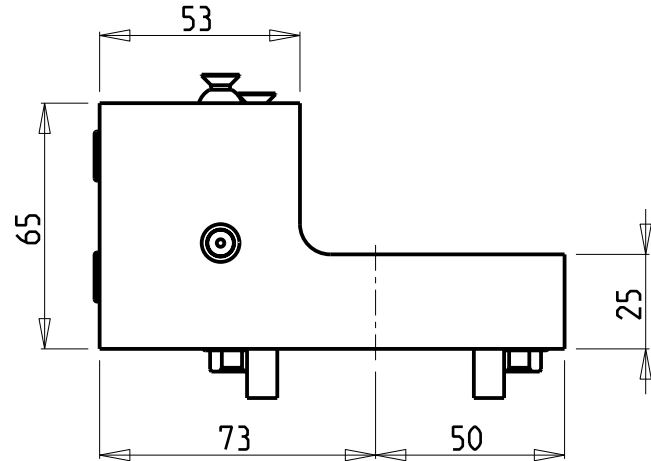
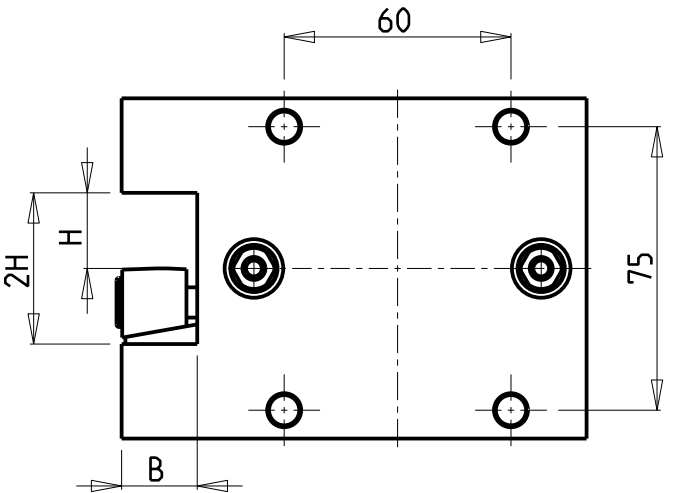
Subject to change without notice.



M.T. srl
 Via Casino Albini 480
 Tel. 0541/956034-957884
 Fax 0541/956341
 47842 S. GIOVANNI IN M. (RN)
 e-mail: mtma@mtmarchetti.com
 http://www.mtmarchetti.com



PAGINA MYA350-3-00-K



Cod. MT	Reversibile lato mandrino/contromandrino Reversible sub/main spindle side Umkehrbare Spindel-seite/ Gegenspindel-seite	Misure Dimensions Masse	B	H
MYA0172000	X	mm	20	20

MIYANO

MOD: ABX-51/64/80 SYY/THY

PORTAUTENSILE RADIALE SINGOLO QD=20mm

Radial single static tool QD=20mm

Radial Single-Werkzeughalter QD=20mm

Subject to change without notice.

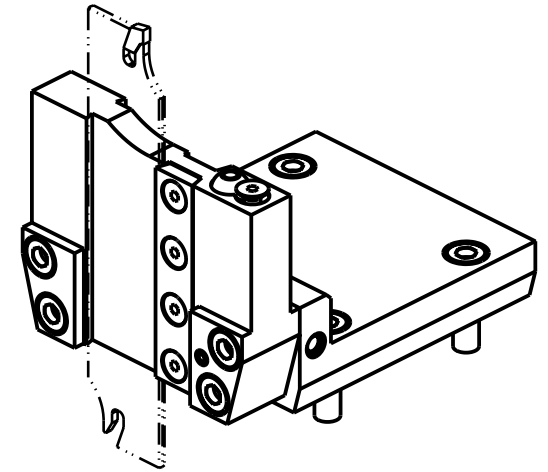
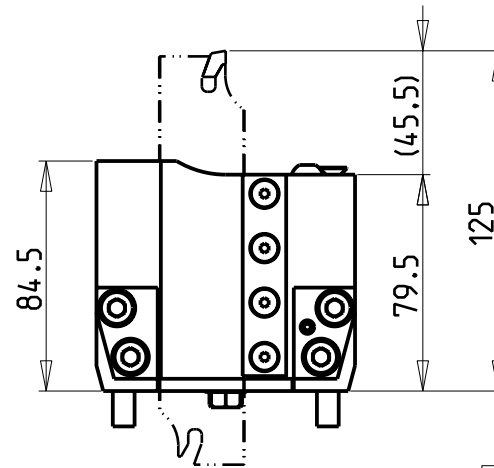
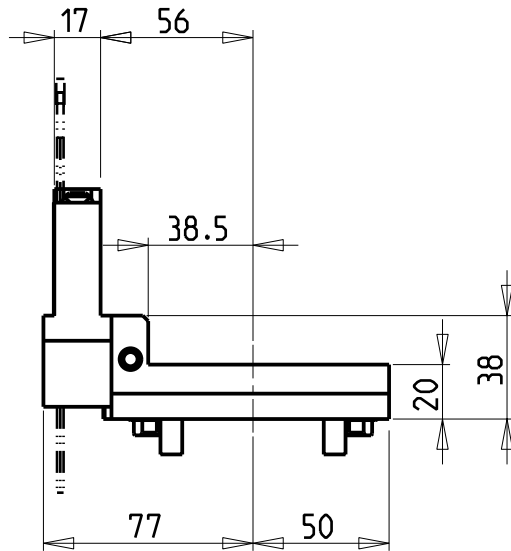
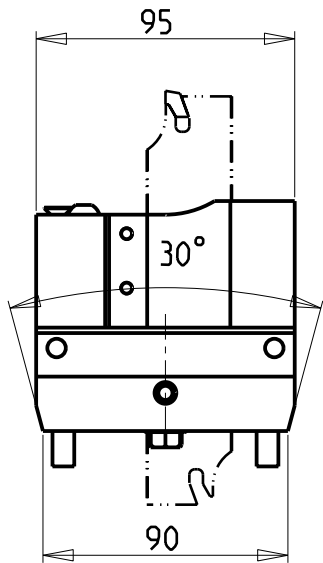
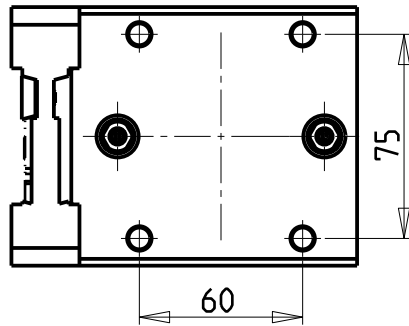
M.T. srl
Via Casino Albini 480
Tel. 0541/956034-957884
Fax 0541/956341
47842 S. GIOVANNI IN M. (RN)
e-mail: mtma@mtmarchetti.com
<http://www.mtmarchetti.com>



PAGINA MYA420-3-00

ATTENZIONE - ATTENTION - ACHTUNG

- VERIFICARE LE MISURE DI INGOMBRO PER POSSIBILE INTERFERENZA SU ALCUNI MODELLI DI MACCHINE
- Please check the overall sizes for possible interferences on some machine models
- Bitte überprüfen sie das ausmass um mögliche interferenzen auf einigen maschinen modellen zu vermeiden



DOTAZIONI - SUPPLIED WITH - AUSSTATTUNG

- N°1 - LAMA - BLADE - KLINGE ISCAR H=32 Sp. 3/4mm (KENNAMETAL OPTIONAL)
- N°10 - INSERTI - INSERTS - EINLAGEN
- N°1 - CHIAVE A T PER MONTAGGIO INSERTI
- T-WRENCH FOR INSERT SET UP
- T-SCHLUESSEL FUER EINSATZSTUECK-MONTAGE

POSSIBILITA' DI LAVORO M3/M4
OPTION OF M3/M4 WORKING
ARBEITSMÖGLICHKEIT M3/M4

Cod. MT	N°Utensili N° Tools N°W Werkzeuge	Lubr.esterna Ext. coolant Aussenkuehlung
MYA0350132	1	X

NEW

MIYANO
MOD: ABX-51/64/80 SYY/THY
PORTAUTENSILE PER LAMA DOPPIO
Radial double blade holder
Radial Doppel-Abstechhalter

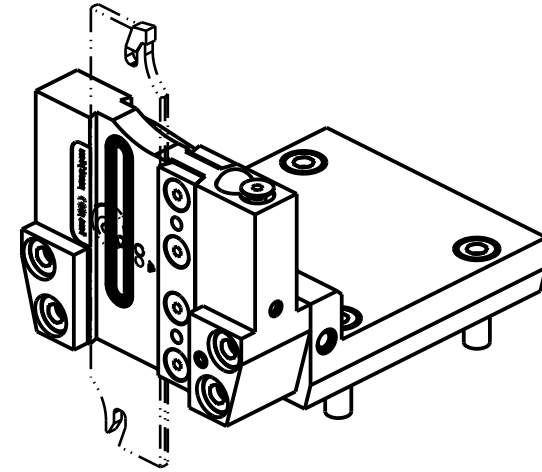
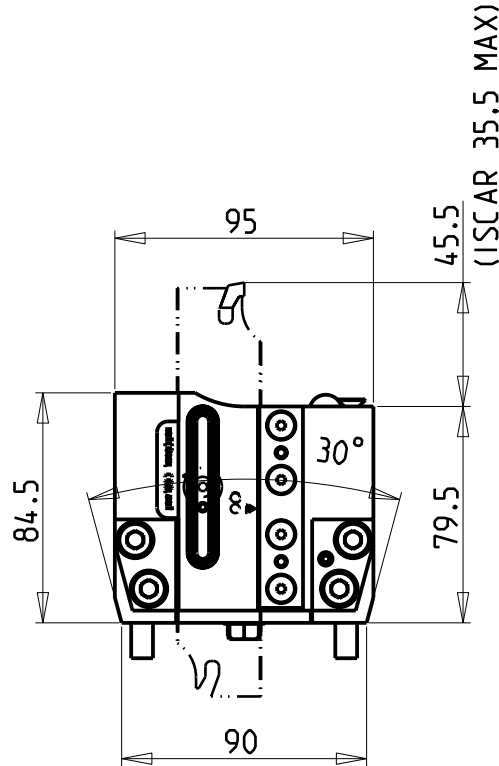
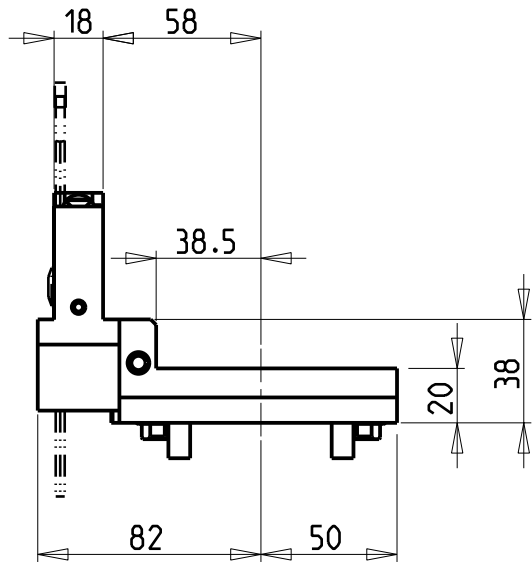
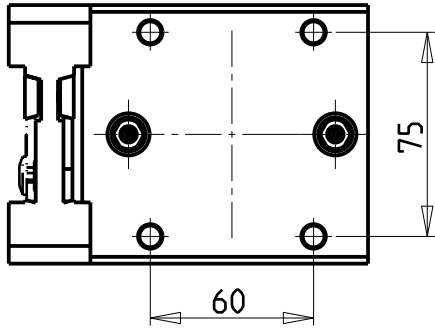
M.T. srl
Via Casino Albini 480
Tel. 0541/956034-957884
Fax 0541/956341
47842 S. GIOVANNI IN M. (RN)
e-mail: mtma@mtmarchetti.com
http://www.mtmarchetti.com



PAGINA MYA520-3-00

Subject to change without notice.

03/2023



POSSIBILITA' DI LAVORO M3/M4
 OPTION OF M3/M4 WORKING
 ARBEITSMÖGLICHKEIT M3/M4

**KIT LAME NON INCLUSI (OPZIONALI)
 BLADES NOT SUPPLIED WITH (OPTIONAL)
 KLINGEN NICHT INBEGRIFFEN (OPTIONAL)**

- LAMA-BLADE-KLINGE SANDVIK H=32 sp.3 cod. QD_NN2G60C 25A
 +INSERTI-INSERTS-EINLAGEN cod. QD_NG_0300_0002_CM_1145 (10 pz.)
- LAMA-BLADE-KLINGE SANDVIK H=32 sp.4 cod. QD_NN2H60C 25A
 +INSERTI-INSERTS-EINLAGEN cod. QD_NH_0400_0002_CM_1145 (10 pz.)
- LAMA-BLADE-KLINGE ISCAR H=32 sp.3 cod. SGFH_32K_3
 +INSERTI-INSERTS-EINLAGEN cod. 6011365 (10pz.)
- LAMA-BLADE-KLINGE ISCAR H=32 sp.4 cod. SGFH_32K_4
 +INSERTI-INSERTS-EINLAGEN cod. 6011366 (10pz.)
- LAMA-BLADE-KLINGE WALTER H=32 sp.3 cod. G2042.32N-3T45SX-P
 +INSERTI-INSERTS-EINLAGEN cod. SX-3E300N02-CE4 WSM33S (10pz.) + CHIAVE-KEY cod. FS1494
- LAMA-BLADE-KLINGE WALTER H=32 sp.4 cod. G2042.32N-4T50SX-P
 +INSERTI-INSERTS-EINLAGEN cod. SX-4E400N02-CE4 WSM33S (10pz.) + CHIAVE-KEY cod. FS1494

Cod. MT	N°Utensili N°Tools N°Werkzeuge	Lubr.esterna Ext. coolant Aussenkuehlung	Lubr.interna Coolant through Innenkuehlung
MYA0350232	1	X	P=70bar

NEW

MIYANO
 MOD: ABX-51/64/80 SYY/THY

PORTAUTENSILE PER LAMA DOPPIO CON LUBRIFICAZIONE INTERNA
 Radial double blade holder with internal coolant
 Radial Doppel-Abstechhalter mit Innenkuehlung

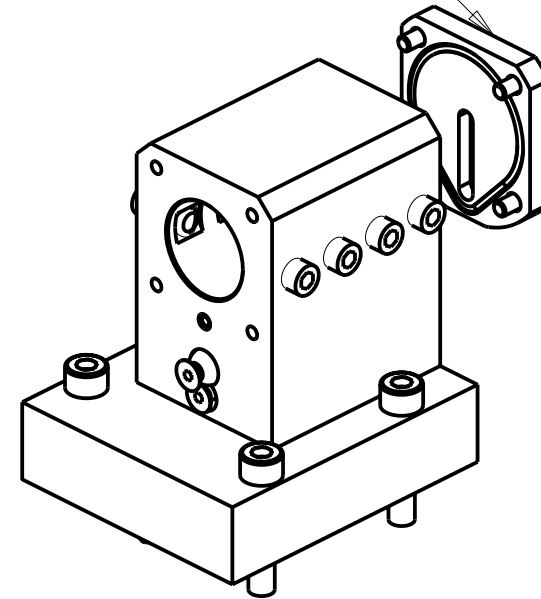
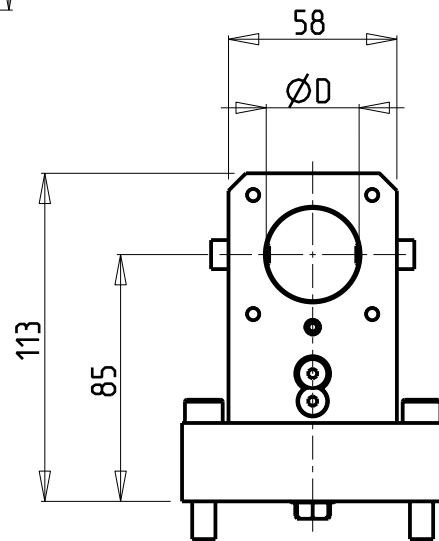
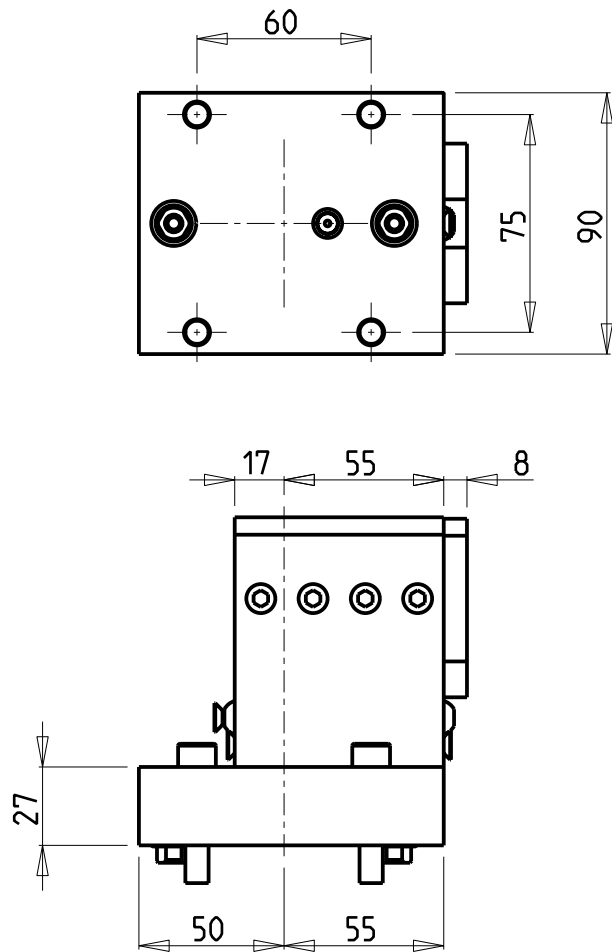
Subject to change without notice.

M.T. srl
 Via Casino Albini 480
 Tel. 0541/956034-957884
 Fax 0541/956341
 47842 S. GIOVANNI IN M. (RN)
 e-mail: mtma@mtmarchetti.com
 http://www.mtmarchetti.com



PAGINA MYA520-3-04

KIT ADDUZIONE INTERNA (OPZIONALE)
 KIT FOR INTERNAL COOLANT (OPTIONAL)
 KIT FUER INTERNE KUEHLMITTELZUFUHR (OPTIONAL)
 Ø32 cod. KIT1000031



PER BOCCOLE DI RIDUZIONE VEDI PAG. TBL150-1-00
 FOR REDUCING BUSHINGS SEE PAGE TBL150-1-00
 FÜR REDUZIERBUCHSE SIEHE SEITE TBL150-1-00

Cod. MT	N°Utensili N°Tools N°Werkzeuge	Reversibile lato mandrino/contromandrino Reversible sub/main spindle side Umkehrbare Spindel-seite/ Gegenspindel-seite	Lubrificazione int. opzionale Coolant through optional Innenkuehlung Optional	Lubrificazione est. Ext. coolant Aussenkuehlung	Misure Dimensions Masse	D
MYA0183200	1	X	X	X	mm	32

MIYANO
 MOD: ABX-51/64/80 SYY/THY

PORTAUTENSILE ASSIALE ARRETRATO PER BARENO Ø32mm H=85mm
 Axial single rear set boring bar holder Ø32mm H=85mm
 Axial Bohrhälter zurueckversetzt Ø32mm H=85mm

Subject to change without notice.

M.T. srl
 Via Casino Albini 480
 Tel. 0541/956034-957884
 Fax 0541/956341
 47842 S. GIOVANNI IN M. (RN)
 e-mail: mtma@mtmarchetti.com
 http://www.mtmarchetti.com



PAGINA MYA847-3-10

